

4



PERNI A SALDARE

WELDING STUDS

SCHWEISSBOLZEN

GOUJONS À SOUDER

PERNOS PARA SOLDAR

FIXI[®]

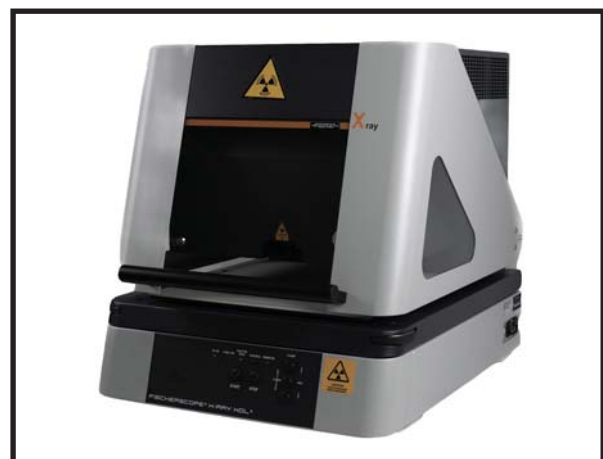
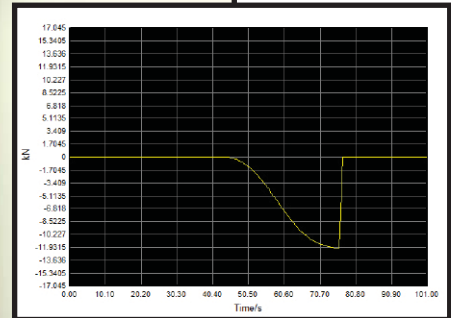
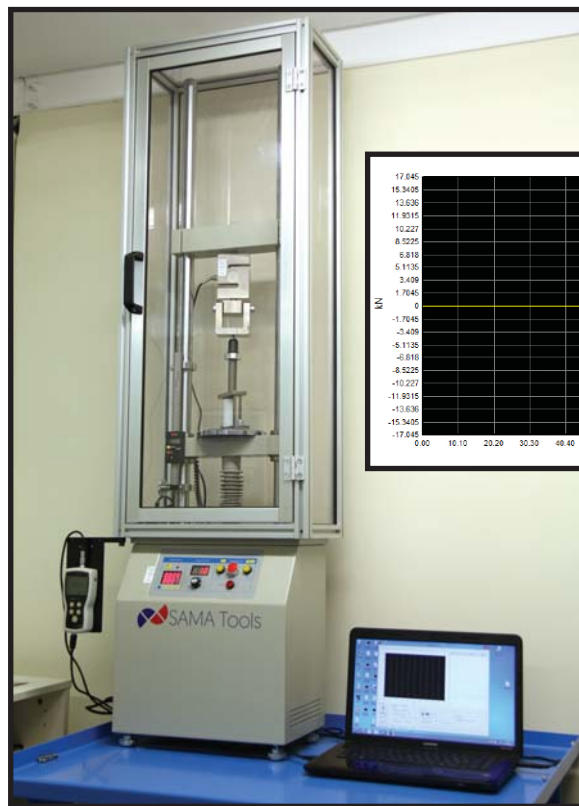
FASTENING SYSTEMS

Member of CISQ Federation



Il laboratorio Fixi garantisce la conformità dei prodotti grazie ad accurati test interni con macchinari di ultima generazione.

Fixi carries out accurate testing in its own lab equipped with the latest generation machinery to ensure product conformity.



ISTRUZIONI PER LA SALDATURA A SCARICA DI CONDENSATORI
INSTRUCTIONS FOR CAPACITOR DISCHARGE WELDING
SCHWEISSANLEITUNG FÜR SPITZENZÜNDUNG
INSTRUCTIONS POUR LE SOUDAGE PAR DÉCHARGE
DE CONDENSATEURS
INSTRUCCIONES DE SOLDADURA POR DESCARGA

		Materiale della base / Workpiece Material								
		ACCIAIO fino a C35 STEEL MAX C35	ACCIAIO fino a C60 STEEL MAX C60	ACCIAIO ZINCATO STEEL ZINC PLATED	ACCIAIO INOX STAINLESS STEEL	OTTONE BRASS	RAME COPPER	Al 99,5	Al Mg3	Al Mg5
Materiale perni Studs Material	ACCIAIO 4.8 RAMATO STEEL 4.8 COPPER PLATED	OK	NO	+ / -	+/-	+/-	+/-	NO	NO	NO
	ACCIAIO INOX A2-50 STAINLESS STEEL A2-50	OK	+/-	+/-	OK	+/-	+/-	NO	NO	NO
	ACCIAIO INOX AISI 316* STAINLESS STEEL AISI 316*	OK	+/-	+/-	OK	+/-	+/-	NO	NO	NO
	ALLUMINIO AlMg3 ALUMINIUM AlMg3	NO	NO	NO	NO	NO	NO	+/-	OK	+/-
	OTTONE / BRASS	OK	NO	OK	+/-	OK	OK	NO	NO	NO

*Per applicazioni nei settori alimentare, chimico farmaceutico, navale, tessile e petrolchimico si consiglia l'uso dell'inox AISI 316. L'inox AISI 316 ha una resistenza alla corrosione ottima (sali, acidi, sostanze alimentari).

*We recommend the use of Stainless Steel AISI 316 for applications in the food, pharmaceutical, naval, textile and petrochemical industries. Stainless Steel AISI 316 has a high resistance to corrosion (salts, acids, food substances).

INFORMAZIONI TECNICHE

TECHNICAL INFORMATION / TECHNISCHE INFORMATIONEN INFORMATION TECHNIQUE / INFORMACION TECNICA

			M3	M4	M5	M6	M8	M10	M12	M16
Materiale perni / Studs Material	ACCIAIO 4.8 RAMATO STEEL 4.8 COPPER PLATED	Carico di trazione sul filetto (kN) <i>Pull-out force (kN)</i>	1,1	1,8	3,0	4,3	8,0	13,0	19,0	35,0
		Coppia di serraggio raccomandata (Nm) <i>Recommended tightening torque (Nm)</i>	0,8	0,8	3,6	6,1	15,0	30,0	53,0	135,0
	ACCIAIO INOX A2-50 STAINLESS STEEL A2-50	Carico di trazione sul filetto (kN) <i>Pull-out force (kN)</i>	0,7	0,7	1,9	2,7	4,9	7,8	12,0	22,0
		Coppia di serraggio raccomandata (Nm) <i>Recommended tightening torque (Nm)</i>	0,5	0,5	2,3	3,8	9,5	19,0	33,0	82,0
	ACCIAIO INOX AISI 316 STAINLESS STEEL AISI 316	Carico di trazione sul filetto (kN) <i>Pull-out force (kN)</i>	0,7	0,7	1,9	2,7	4,9	7,8	12,0	22,0
		Coppia di serraggio raccomandata (Nm) <i>Recommended tightening torque (Nm)</i>	0,5	0,5	2,3	3,8	9,5	19,0	33,0	82,0
	ALLUMINIO AlMg3 ALUMINIUM AlMg3	Carico di trazione sul filetto (kN) <i>Pull-out force (kN)</i>	0,5	0,5	1,6	2,2	4,0			
		Coppia di serraggio raccomandata (Nm) <i>Recommended tightening torque (Nm)</i>	0,4	0,4	1,9	3,1	7,5			
	OTTONE BRASS	Carico di trazione sul filetto (kN) <i>Pull-out force (kN)</i>	0,8	0,8	2,3	3,2	6,0			
		Coppia di serraggio raccomandata (Nm) <i>Recommended tightening torque (Nm)</i>	0,6	0,6	2,7	4,5	11,0			

I valori indicati in tabella permettono di non deformare gli elementi da unire.

The values indicated in the table will not deform the parts to be joined.

INDICE GENERALE

GENERAL INDEX

INHALTSVERZEICHNIS

SOMMAIRE GÉNÉRAL

INDICE GENERAL

		PAGINA - PAGE	
PT		PERNI FILETTATI A SALDARE A SCARICA DI CONDENSATORI <i>CAPACITOR DISCHARGE WELDING STUDS WITH THREAD</i>	6-7-8
		PERNI PER LA VERNICIATURA <i>CAPACITOR DISCHARGE GROOVE STUDS FOR PAINTING</i>	6
IT		BUSSOLE FILETTATE A SALDARE A SCARICA DI CONDENSATORI <i>CAPACITOR DISCHARGE TAPPED STUDS</i>	9-10
UT		PERNI LISCI A SALDARE A SCARICA DI CONDENSATORI <i>CAPACITOR DISCHARGE WELDING PINS WITHOUT THREAD</i>	11-12
		PERNI CON FILETTO A DENTE DI SEGA A SCARICA DI CONDENSATORI <i>CAPACITOR DISCHARGE WELDING STUDS WITH COARSE</i>	13
		FASTON SINGOLO <i>SINGLE FLAT PLUG TYP F1</i>	14
		FASTON DOPPIO <i>DOUBLE FLAT PLUG TYP F2</i>	14
		ARPIONCINI PER ISOLAMENTI TERMICI <i>CUPPED HEAD PINS WITH INSULATION</i>	15
		CHIODI PER ISOLAMENTO E CLIP <i>INSULATING NAILS AND CLIP</i>	15
		SALDATRICI A SCARICA DI CONDENSATORI <i>CAPACITOR DISCHARGES STUD WELDERS</i>	16-17-18-19-20-21-22
		PORTA PERNI <i>CHUCKS</i>	16-17-18-19-20-21-22
		CANOTTO DI APPOGGIO <i>SUPPORT TUBE</i>	16-17-18-19-20-21-22
		PORTA PERNI PER FASTON <i>CHUCK FOR FLAT PLUG</i>	16-17-18-19-20-21-22

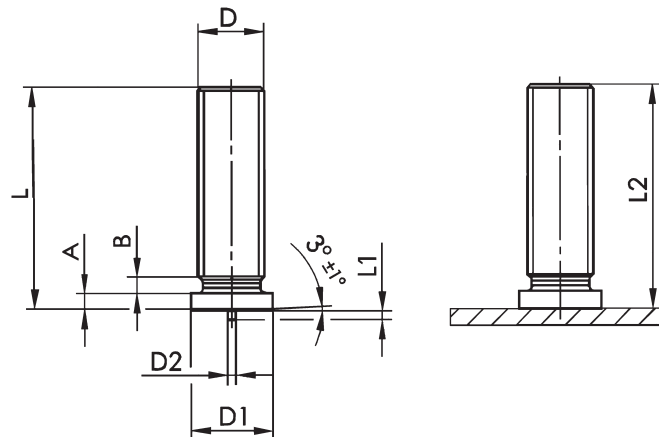
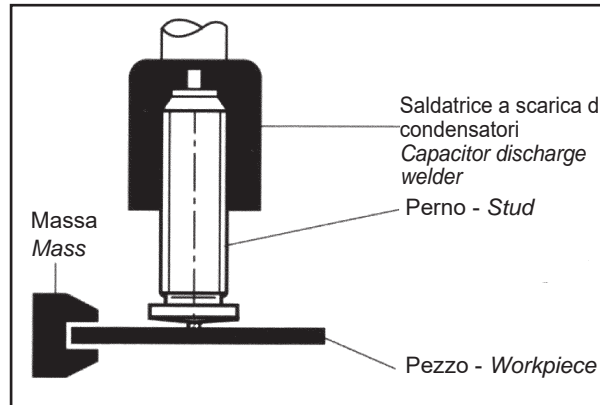
INDICE GENERALE
GENERAL INDEX
INHALTSVERZEICHNIS
SOMMAIRE GÉNÉRAL
INDICE GENERAL

		PAGINA - PAGE
	ANGOLARE <i>CORNER BRACKET</i>	16-17-18-19 20-21-22
PS 	PERNI A SALDARE AD ARCO CORTO <i>SHORT CYCLE WELDING STUDS</i>	23
IS 	BUSSOLE A SALDARE AD ARCO CORTO <i>SHORT CYCLE TAPPED STUDS</i>	24
US 	PERNI LISCI A SALDARE AD ARCO CORTO <i>UNTHREADED SHORT CYCLE WELDING STUDS</i>	25
	PERNI CON FILETTO A DENTE DI SEGA A ARCO CORTO <i>SHORT CYCLE WELDING STUDS WITH COARSE</i>	26
	CHIODI PER ISOLAMENTO AD ARCO CORTO <i>SHORT-CYCLE STUDS INSULATION PINS</i>	26
PD MPF PF KSP 	PERNI A SALDARE AD ARCO SOLLEVATO CON FERULA CERAMICA <i>DRAWN-ARC STUDS WITH CERAMIC FERRULES</i>	27
RD MR RF KSR 	PERNI A SALDARE AD ARCO SOLLEVATO CON FERULA CERAMICA <i>DRAWN-ARC STUDS WITH CERAMIC FERRULES</i>	28
UD / S SD / KD ID / MI UF KSN	A RICHIESTA <i>ON DEMAND</i>	29
	SALDATRICI AD ARCO CORTO E ARCO SOLLEVATO <i>SHORT CYCLE AND DRAWN ARC STUDWELDERS</i>	30-31-32-33
	CNC SALDATRICI AUTOMATICHE <i>CNC AUTOMATIC WELDING MACHINE</i>	34-35-36-37

PERNI FILETTATI A SALDARE A SCARICA DI CONDENSATORI
CAPACITOR DISCHARGE WELDING STUDS WITH THREAD
GEWINDEBOLZEN FÜR SPITZENZÜNDUNG
GOUJONS FILETÉS À SOUDER PAR DÉCHARGE
DE CONDENSATEURS
PERNOS CON ROSCA EXTERIOR PARA SOLDAR CON DESCARGA

DIN EN ISO 13918

PT



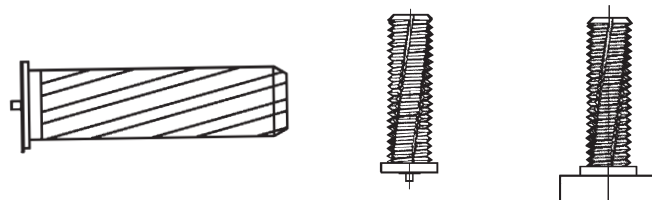
PRIMA DELLA SALDATURA
 BEFORE WELDING
 VOR DEM SCHWEISSEN
 AVANT SOUDAGE
 ANTES DE SOLDAR

DOPO LA SALDATURA
 AFTER WELDING
 NACH DEM SCHWEISSEN
 APRÈS SOUDAGE
 DESPUES DE SOLDAR

D	L + 0,6	D1 ± 0,2	D2 ± 0,08	L1 ± 0,05	A	B max	L2
M3	vedi pag. 7 - 8	4,5	0,60	0,55	0,7-1,4	0,6	L-0,3
M4		5,5	0,65				
M5		6,5	0,80	1			
M6		7,5		0,8-1,4	1,5		
M8		9,0	0,85		2	L-0,6	
* M10		11,0		0,6-1,8			
* M12	12,6						

* M10 - * M12 FIXI STANDARD

PERNI PER LA VERNICIATURA A RICHIESTA
 CAPACITOR DISCHARGE GROOVE STUDS
 FOR PAINTING ON REQUEST
 LACKBOLZEN AUF ANFRAGE
 GOUJONS AVEC RAINURE SUR DEMANDE
 PERNOS SOLDAR LACQUER GROOVE BAJO SOLICITUD



ACCIAIO 4.8 RAMATO COPPER PLATED STEEL 4.8 STAHL 4.8 VERKUPFERT ACIER 4.8 CUIVRE ACERO 4.8 COBREADO			ACCIAIO INOX A2-50 STAINLESS STEEL A2-50 ROSTFREIER STAHL A2-50 INOX A2-50 INOX A2-50			INOX AISI 316 STAINLESS STEEL AISI316 ROSTFREIER STAHL AISI 316 INOX AISI 316 INOX AISI 316			ALLUMINIO AIMg3 ALUMINIUM AIMg3 ALUMINIUM AIMg3 ALUMINIUM AIMg3 ALUMINIO AIMg3			OTTONE CuZn37 BRASS CuZn37 MESSING CuZn37 LAITON CuZn37 LATÓN CuZn37		
Filetto Thread Size	Lunghezza Length	Codice Code	Filetto Thread Size	Lunghezza Length	Codice Code	Filetto Thread Size	Lunghezza Length	Codice Code	Filetto Thread Size	Lunghezza Length	Codice Code	Filetto Thread Size	Lunghezza Length	Codice Code
M3	6	03ARPR306	M3	6	03IXPR306	M3	6	03IXPR306A4	M3	6	03ALPR306	M3	6	03OTPR306
	8	03ARPR308		8	03IXPR308		8	03IXPR308A4		8	03ALPR308		8	03OTPR308
	10	03ARPR310		10	03IXPR310		10	03IXPR310A4		10	03ALPR310		10	03OTPR310
	12	03ARPR312		12	03IXPR312		12	03IXPR312A4		12	03ALPR312		12	03OTPR312
	15	03ARPR315		15	03IXPR315		15	03IXPR315A4		15	03ALPR315		15	03OTPR315
	16	03ARPR316		16	03IXPR316		16	03IXPR316A4		16	03ALPR316		16	03OTPR316
	20	03ARPR320		20	03IXPR320		20	03IXPR320A4		20	03ALPR320		20	03OTPR320
	25	03ARPR325		25	03IXPR325		25	03IXPR325A4		25	03ALPR325		25	03OTPR325
	30	03ARPR330		30	03IXPR330		30	03IXPR330A4		30	03ALPR330		30	03OTPR330
	35	03ARPR335		35	03IXPR335		35	03IXPR335A4		35	03ALPR335		35	03OTPR335
40	03ARPR340	40	03IXPR340	40	03IXPR340A4	40	03ALPR340	40	03OTPR340					
M4	6	03ARPR406	M4	6	03IXPR406	M4	6	03IXPR406A4	M4	6	03ALPR406	M4	6	03OTPR406
	8	03ARPR408		8	03IXPR408		8	03IXPR408A4		8	03ALPR408		8	03OTPR408
	10	03ARPR410		10	03IXPR410		10	03IXPR410A4		10	03ALPR410		10	03OTPR410
	12	03ARPR412		12	03IXPR412		12	03IXPR412A4		12	03ALPR412		12	03OTPR412
	15	03ARPR415		15	03IXPR415		15	03IXPR415A4		15	03ALPR415		15	03OTPR415
	16	03ARPR416		16	03IXPR416		16	03IXPR416A4		16	03ALPR416		16	03OTPR416
	20	03ARPR420		20	03IXPR420		20	03IXPR420A4		20	03ALPR420		20	03OTPR420
	25	03ARPR425		25	03IXPR425		25	03IXPR425A4		25	03ALPR425		25	03OTPR425
	30	03ARPR430		30	03IXPR430		30	03IXPR430A4		30	03ALPR430		30	03OTPR430
	35	03ARPR435		35	03IXPR435		35	03IXPR435A4		35	03ALPR435		35	03OTPR435
	40	03ARPR440		40	03IXPR440		40	03IXPR440A4		40	03ALPR440		40	03OTPR440
45	03ARPR445	45	03IXPR445	45	03IXPR445A4	45	03ALPR445	45	03OTPR445					
50	03ARPR450	50	03IXPR450	50	03IXPR450A4	50	03ALPR450	50	03OTPR450					
M5	6	03ARPR506	M5	6	03IXPR506	M5	6	03IXPR506A4	M5	6	03ALPR506	M5	6	03OTPR506
	8	03ARPR508		8	03IXPR508		8	03IXPR508A4		8	03ALPR508		8	03OTPR508
	10	03ARPR510		10	03IXPR510		10	03IXPR510A4		10	03ALPR510		10	03OTPR510
	12	03ARPR512		12	03IXPR512		12	03IXPR512A4		12	03ALPR512		12	03OTPR512
	15	03ARPR515		15	03IXPR515		15	03IXPR515A4		15	03ALPR515		15	03OTPR515
	16	03ARPR516		16	03IXPR516		16	03IXPR516A4		16	03ALPR516		16	03OTPR516
	20	03ARPR520		20	03IXPR520		20	03IXPR520A4		20	03ALPR520		20	03OTPR520
	25	03ARPR525		25	03IXPR525		25	03IXPR525A4		25	03ALPR525		25	03OTPR525
	30	03ARPR530		30	03IXPR530		30	03IXPR530A4		30	03ALPR530		30	03OTPR530
	35	03ARPR535		35	03IXPR535		35	03IXPR535A4		35	03ALPR535		35	03OTPR535
	40	03ARPR540		40	03IXPR540		40	03IXPR540A4		40	03ALPR540		40	03OTPR540
45	03ARPR545	45	03IXPR545	45	03IXPR545A4	45	03ALPR545	45	03OTPR545					

ACCIAIO 4.8 RAMATO COPPER PLATED STEEL 4.8 STAHL 4.8 VERKUPFERT ACIER 4.8 CUIVRE ACERO 4.8 COBREADO			ACCIAIO INOX A2-50 STAINLESS STEEL A2-50 ROSTFREIER STAHL A2-50 INOX A2-50 INOX A2-50			INOX AISI 316 STAINLESS STEEL AISI316 ROSTFREIER STAHL AISI 316 INOX AISI 316 INOX AISI 316			ALLUMINIO AIMg3 ALUMINIUM AIMg3 ALUMINIUM AIMg3 ALUMINIUM AIMg3 ALUMINIO AIMg3			OTTONE CuZn37 BRASS CuZn37 MESSING CuZn37 LAITON CuZn37 LATON CuZn37		
Filetto Thread Size	Lunghezza Length	Codice Code	Filetto Thread Size	Lunghezza Length	Codice Code	Filetto Thread Size	Lunghezza Length	Codice Code	Filetto Thread Size	Lunghezza Length	Codice Code	Filetto Thread Size	Lunghezza Length	Codice Code
M6	8	03ARPR608	M6	8	03IXPR608	M6	8	03IXPR608A4	M6	8	03ALPR608	M6	8	030TPR608
	10	03ARPR610		10	03IXPR610		10	03IXPR610A4		10	03ALPR610		10	030TPR610
	12	03ARPR612		12	03IXPR612		12	03IXPR612A4		12	03ALPR612		12	030TPR612
	15	03ARPR615		15	03IXPR615		15	03IXPR615A4		15	03ALPR615		15	030TPR615
	16	03ARPR616		16	03IXPR616		16	03IXPR616A4		16	03ALPR616		16	030TPR616
	20	03ARPR620		20	03IXPR620		20	03IXPR620A4		20	03ALPR620		20	030TPR620
	25	03ARPR625		25	03IXPR625		25	03IXPR625A4		25	03ALPR625		25	030TPR625
	30	03ARPR630		30	03IXPR630		30	03IXPR630A4		30	03ALPR630		30	030TPR630
	35	03ARPR635		35	03IXPR635		35	03IXPR635A4		35	03ALPR635		35	030TPR635
	40	03ARPR640		40	03IXPR640		40	03IXPR640A4		40	03ALPR640		40	030TPR640
	45	03ARPR645		45	03IXPR645		45	03IXPR645A4		45	03ALPR645		45	030TPR645
	50	03ARPR650		50	03IXPR650		50	03IXPR650A4		50	03ALPR650		50	030TPR650
55	03ARPR655	55	03IXPR655	55	03IXPR655A4	55	03ALPR655	55	030TPR655					
M8	10	03ARPR810	M8	10	03IXPR810	M8	10	03IXPR810A4	M8	10	03ALPR810	M8	10	030TPR810
	12	03ARPR812		12	03IXPR812		12	03IXPR812A4		12	03ALPR812		12	030TPR812
	15	03ARPR815		15	03IXPR815		15	03IXPR815A4		15	03ALPR815		14	030TPR814
	16	03ARPR816		16	03IXPR816		16	03IXPR816A4		16	03ALPR816		16	030TPR816
	20	03ARPR820		20	03IXPR820		20	03IXPR820A4		20	03ALPR820		20	030TPR820
	25	03ARPR825		25	03IXPR825		25	03IXPR825A4		25	03ALPR825		25	030TPR825
	30	03ARPR830		30	03IXPR830		30	03IXPR830A4		30	03ALPR830		30	030TPR830
	35	03ARPR835		35	03IXPR835		35	03IXPR835A4		35	03ALPR835		35	030TPR835
	40	03ARPR840		40	03IXPR840		40	03IXPR840A4		40	03ALPR840		40	030TPR840
	45	03ARPR845		45	03IXPR845		45	03IXPR845A4		45	03ALPR845		45	030TPR845
	50	03ARPR850		50	03IXPR850		50	03IXPR850A4		50	03ALPR850		50	030TPR850
60	03ARPR860	60	03IXPR860	60	03IXPR860A4	60	03ALPR860	60	030TPR860					
M10	12	03ARPR1012	M10	12	03IXPR1012	M10	12	03IXPR1012	M10	12	03ALPR1012	M10	12	030TPR1012
	15	03ARPR1015		15	03IXPR1015		15	03IXPR1015		15	03ALPR1015		15	030TPR1015
	16	03ARPR1016		16	03IXPR1016		16	03IXPR1016		16	03ALPR1016		16	030TPR1016
	20	03ARPR1020		20	03IXPR1020		20	03IXPR1020		20	03ALPR1020		20	030TPR1020
	25	03ARPR1025		25	03IXPR1025		25	03IXPR1025		25	03ALPR1025		25	030TPR1025
	30	03ARPR1030		30	03IXPR1030		30	03IXPR1030		30	03ALPR1030		30	030TPR1030
	35	03ARPR1035		35	03IXPR1035		35	03IXPR1035		35	03ALPR1035		35	030TPR1035
	40	03ARPR1040		40	03IXPR1040		40	03IXPR1040		40	03ALPR1040		40	030TPR1040
	45	03ARPR1045		45	03IXPR1045		45	03IXPR1045		45	03ALPR1045		45	030TPR1045
50	03ARPR1050	50	03IXPR1050	50	03IXPR1050	50	03ALPR1050	50	030TPR1050					
M12	15	03ARPR1215	M12	15	03IXPR1215	M12	15	03IXPR1215	M12	15	03ALPR1215	M12	15	030TPR1215
	16	03ARPR1216		16	03IXPR1216		16	03IXPR1216		16	03ALPR1216		16	030TPR1216
	20	03ARPR1220		20	03IXPR1220		20	03IXPR1220		20	03ALPR1220		20	030TPR1220
	25	03ARPR1225		25	03IXPR1225		25	03IXPR1225		25	03ALPR1225		25	030TPR1225
	30	03ARPR1230		30	03IXPR1230		30	03IXPR1230		30	03ALPR1230		30	030TPR1230
	35	03ARPR1235		35	03IXPR1235		35	03IXPR1235		35	03ALPR1235		35	030TPR1235
40	03ARPR1240	40	03IXPR1240	40	03IXPR1240	40	03ALPR1240	40	030TPR1240					

BUSSOLE FILETTATE A SALDARE A SCARICA DI CONDENSATORI

CAPACITOR DISCHARGE TAPPED STUDS

INNENGEWINDEBUCHSEN FÜR SPITZENZÜNDUNG

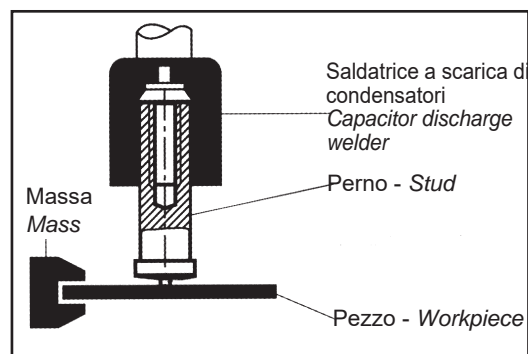
DOUILLES TARAUDÉES À SOUDER PAR DÉCHARGE

DE CONDENSATEURS

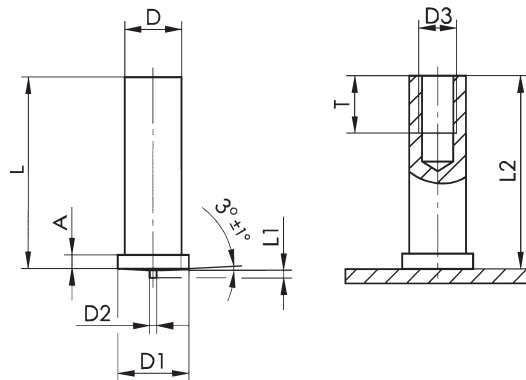
PERNOS CON ROSCA INTERIOR PARA SOLDAR CON DESCARGA

DIN EN ISO 13918

IT



PRIMA DELLA SALDATURA
BEFORE WELDING
VOR DEM SCHWEISSEN
AVANT SOUDAGE
ANTES DE SOLDAR



DOPO LA SALDATURA
AFTER WELDING
NACH DEM SCHWEISSEN
APRÈS SOUDAGE
DESPUES DE SOLDAR

D ± 0,1	L + 0,3	D1 ± 0,2	D2 ± 0,08	L1 ± 0,05	A	D3	T + 0,5	L2
ø5	vedi pag. 10 see page 10	6,5	0,75	0,80	0,7-1,4	M3	5	L-0,3
ø6		7,5				M4	6	
ø7,1		9		0,85	0,8-1,4	M5	7,5	
* ø8		11,6				M6		
* ø10,8					0,6-1,8	M8	10	

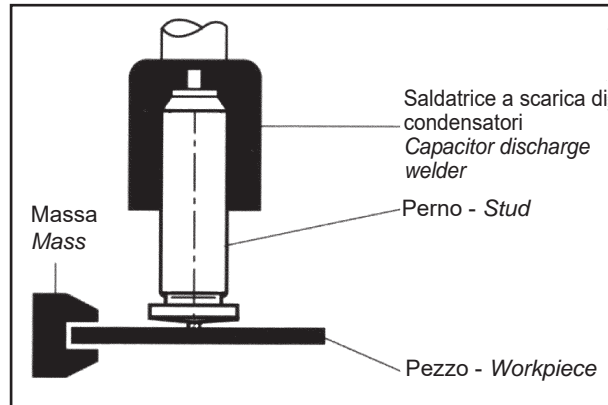
* ø8 - * ø10 FIXI STANDARD

ACCIAIO 4.8 RAMATO COPPER PLATED STEEL 4.8 STAHL 4.8 VERKUPFERT ACIER 4.8 CUIVRE ACERO 4.8 COBREADO			ACCIAIO INOX STAINLESS STEEL ROSTFREIER STAHL INOX INOX			ALLUMINIO AlMg3 ALUMINIUM AlMg3 ALUMINIUM AlMg3 ALUMINIUM AlMg3 ALUMINIO AlMg3			OTTONE CuZn37 BRASS CuZn37 MESSING CuZn37 LAITON CuZn37 LATON CuZn37		
Filetto Thread Size	Lunghezza Length	Codice Code	Filetto Thread Size	Lunghezza Length	Codice Code	Filetto Thread Size	Lunghezza Length	Codice Code	Filetto Thread Size	Lunghezza Length	Codice Code
M3	6	03ARBU3506	M3	6	03IXBU3506	M3	6	03ALBU3506	M3	6	03OTBU3506
	8	03ARBU3508		8	03IXBU3508		8	03ALBU3508		8	03OTBU3508
	10	03ARBU3510		10	03IXBU3510		10	03ALBU3510		10	03OTBU3510
	12	03ARBU3512		12	03IXBU3512		12	03ALBU3512		12	03OTBU3512
	15	03ARBU3515		15	03IXBU3515		15	03ALBU3515		15	03OTBU3515
	16	03ARBU3516		16	03IXBU3516		16	03ALBU3516		16	03OTBU3516
	20	03ARBU3520		20	03IXBU3520		20	03ALBU3520		20	03OTBU3520
	25	03ARBU3525		25	03IXBU3525		25	03ALBU3525		25	03OTBU3525
	30	03ARBU3530		30	03IXBU3530		30	03ALBU3530		30	03OTBU3530
M4	8	03ARBU4608	M4	8	03IXBU4608	M4	8	03ALBU4608	M4	8	03OTBU4608
	10	03ARBU4610		10	03IXBU4610		10	03ALBU4610		10	03OTBU4610
	12	03ARBU4612		12	03IXBU4612		12	03ALBU4612		12	03OTBU4612
	15	03ARBU4615		15	03IXBU4615		15	03ALBU4615		15	03OTBU4615
	16	03ARBU4616		16	03IXBU4616		16	03ALBU4616		16	03OTBU4616
	20	03ARBU4620		20	03IXBU4620		20	03ALBU4620		20	03OTBU4620
	25	03ARBU4625		25	03IXBU4625		25	03ALBU4625		25	03OTBU4625
	30	03ARBU4630		30	03IXBU4630		30	03ALBU4630		30	03OTBU4630
	35	03ARBU4635		35	03IXBU4635		35	03ALBU4635		35	03OTBU4635
	40	03ARBU4640		40	03IXBU4640		40	03ALBU4640		40	03OTBU4640
M5	10	03ARBU5710	M5	10	03IXBU5710	M5	10	03ALBU5710	M5	10	03OTBU5710
	12	03ARBU5712		12	03IXBU5712		12	03ALBU5712		12	03OTBU5712
	15	03ARBU5715		15	03IXBU5715		15	03ALBU5715		15	03OTBU5715
	16	03ARBU5716		16	03IXBU5716		16	03ALBU5716		16	03OTBU5716
	20	03ARBU5720		20	03IXBU5720		20	03ALBU5720		20	03OTBU5720
	25	03ARBU5725		25	03IXBU5725		25	03ALBU5725		25	03OTBU5725
	30	03ARBU5730		30	03IXBU5730		30	03ALBU5730		30	03OTBU5730
	35	03ARBU5735		35	03IXBU5735		35	03ALBU5735		35	03OTBU5735
	40	03ARBU5740		40	03IXBU5740		40	03ALBU5740		40	03OTBU5740
M6	10	03ARBU6810	M6	10	03IXBU6810	M6	10	03ALBU6810	M6	10	03OTBU6810
	12	03ARBU6812		12	03IXBU6812		12	03ALBU6812		12	03OTBU6812
	15	03ARBU6815		15	03IXBU6815		15	03ALBU6815		15	03OTBU6815
	16	03ARBU6816		16	03IXBU6816		16	03ALBU6816		16	03OTBU6816
	20	03ARBU6820		20	03IXBU6820		20	03ALBU6820		20	03OTBU6820
	25	03ARBU6825		25	03IXBU6825		25	03ALBU6825		25	03OTBU6825
	30	03ARBU6830		30	03IXBU6830		30	03ALBU6830		30	03OTBU6830
	35	03ARBU6835		35	03IXBU6835		35	03ALBU6835		35	03OTBU6835
	40	03ARBU6840		40	03IXBU6840		40	03ALBU6840		40	03OTBU6840
M8	15	03ARBU81015	M8	15	03IXBU81015	M8	15	03ALBU81015	M8	15	03OTBU81015
	16	03ARBU81016		16	03IXBU81016		16	03ALBU81016		16	03OTBU81016
	20	03ARBU81020		20	03IXBU81020		20	03ALBU81020		20	03OTBU81020
	25	03ARBU81025		25	03IXBU81025		25	03ALBU81025		25	03OTBU81025
	30	03ARBU81030		30	03IXBU81030		30	03ALBU81030		30	03OTBU81030
	35	03ARBU81035		35	03IXBU81035		35	03ALBU81035		35	03OTBU81035
	40	03ARBU81040		40	03IXBU81040		40	03ALBU81040		40	03OTBU81040

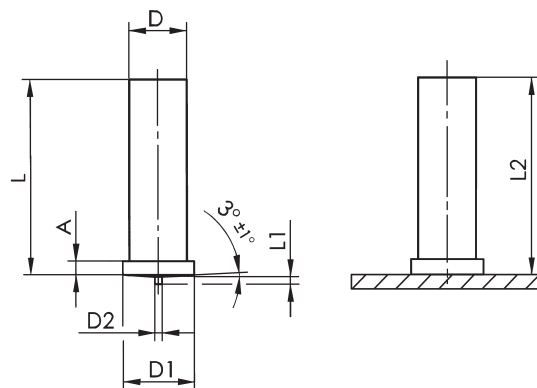
PERNI LISCI A SALDARE A SCARICA DI CONDENSATORI
CAPACITOR DISCHARGE WELDING PINS WITHOUT THREAD
GOUJONS LISSES À SOUDER PAR DÉCHARGE
DE CONDENSATEURS
PERNOS SIN ROSCA PARA SOLDAR CON DESCARGA

DIN EN ISO 13918

UT



PRIMA DELLA SALDATURA
 BEFORE WELDING
 VOR DEM SCHWEISSEN
 AVANT SOUDAGE
 ANTES DE SOLDAR



DOPO LA SALDATURA
 AFTER WELDING
 NACH DEM SCHWEISSEN
 APRÈS SOUDAGE
 DESPUES DE SOLDAR

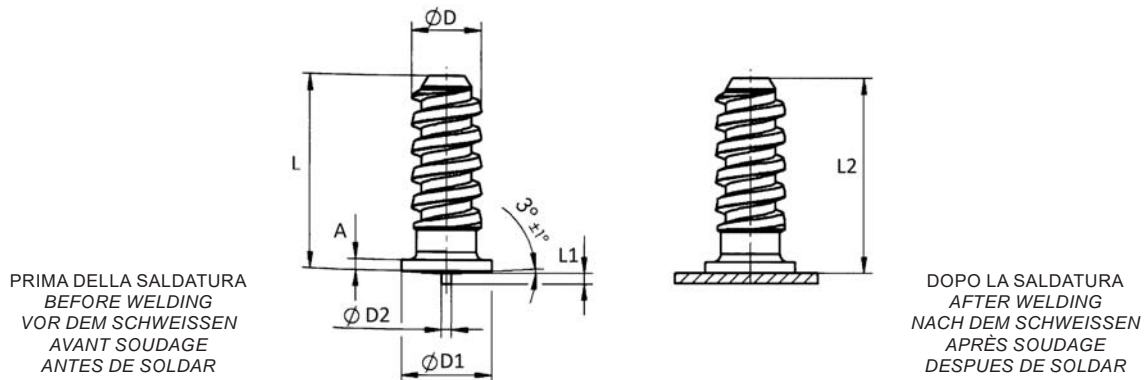
D ± 0,1	L + 0,6	D1 ± 0,2	D2 ± 0,08	L1 ± 0,05	A	L2
ø3	vedi pag. 12 see page 12	4,5	0,60	0,55	0,7-1,4	L-0,3
ø4		5,5	0,65			
ø5		6,5	0,75	0,80		
ø6		7,5		0,85	0,8-1,4	
ø7,1		9,0				
ø8		11,6	0,8-1,8			
* ø10,8						

* ø10,8 FIXI STANDARD

ACCIAIO 4.8 RAMATO COPPER PLATED STEEL 4.8 STAHL 4.8 VERKUPFERT ACIER 4.8 CUIVRE ACERO 4.8 COBREDO			ACCIAIO INOX A2-50 STAINLESS STEEL A2-50 ROSTFREIER STAHL A2-50 INOX A2-50 INOX A2-50			ALLUMINIO AIMg3 ALUMINIUM AIMg3 ALUMINIUM AIMg3 ALUMINIUM AIMg3 ALUMINIO AIMg3			OTTONE CuZn37 BRASS CuZn37 MESSING CuZn37 LAITON CuZn37 LATON CuZn37		
Diametro Diameter	Lunghezza Length	Codice Code	Diametro Diameter	Lunghezza Length	Codice Code	Diametro Diameter	Lunghezza Length	Codice Code	Diametro Diameter	Lunghezza Length	Codice Code
Ø 3	6	03ARPL306	Ø 3	6	03IXPL306	Ø 3	6	03ALPL306	Ø 3	6	03OTPL306
	8	03ARPL308		8	03IXPL308		8	03ALPL308		8	03OTPL308
	10	03ARPL310		10	03IXPL310		10	03ALPL310		10	03OTPL310
	12	03ARPL312		12	03IXPL312		12	03ALPL312		12	03OTPL312
	15	03ARPL315		15	03IXPL315		15	03ALPL315		15	03OTPL315
	16	03ARPL316		16	03IXPL316		16	03ALPL316		16	03OTPL316
	20	03ARPL320		20	03IXPL320		20	03ALPL320		20	03OTPL320
	25	03ARPL325		25	03IXPL325		25	03ALPL325		25	03OTPL325
Ø 4	30	03ARPL330	30	03IXPL330	30	03ALPL330	30	03OTPL330	Ø 4	6	03OTPL406
	6	03ARPL406	6	03IXPL406	6	03ALPL406	6	03OTPL406			
	8	03ARPL408	8	03IXPL408	8	03ALPL408	8	03OTPL408			
	10	03ARPL410	10	03IXPL410	10	03ALPL410	10	03OTPL410			
	12	03ARPL412	12	03IXPL412	12	03ALPL412	12	03OTPL412			
	15	03ARPL415	15	03IXPL415	15	03ALPL415	15	03OTPL415			
	16	03ARPL416	16	03IXPL416	16	03ALPL416	16	03OTPL416			
	20	03ARPL420	20	03IXPL420	20	03ALPL420	20	03OTPL420			
Ø 5	25	03ARPL425	25	03IXPL425	25	03ALPL425	25	03OTPL425	Ø 5	25	03OTPL435
	30	03ARPL430	30	03IXPL430	30	03ALPL430	30	03OTPL430			
	35	03ARPL435	35	03IXPL435	35	03ALPL435	35	03OTPL435			
	8	03ARPL508	8	03IXPL508	8	03ALPL508	8	03OTPL508			
	10	03ARPL510	10	03IXPL510	10	03ALPL510	10	03OTPL510			
	12	03ARPL512	12	03IXPL512	12	03ALPL512	12	03OTPL512			
	15	03ARPL515	15	03IXPL515	15	03ALPL515	15	03OTPL515			
	16	03ARPL516	16	03IXPL516	16	03ALPL516	16	03OTPL516			
Ø 6	20	03ARPL520	20	03IXPL520	20	03ALPL520	20	03OTPL520	Ø 6	20	03OTPL535
	25	03ARPL525	25	03IXPL525	25	03ALPL525	25	03OTPL525			
	30	03ARPL530	30	03IXPL530	30	03ALPL530	30	03OTPL530			
	35	03ARPL535	35	03IXPL535	35	03ALPL535	35	03OTPL535			
	40	03ARPL540	40	03IXPL540	40	03ALPL540	40	03OTPL540			
	50	03ARPL550	50	03IXPL550	50	03ALPL550	50	03OTPL550			
	8	03ARPL608	8	03IXPL608	8	03ALPL608	8	03OTPL608			
	10	03ARPL610	10	03IXPL610	10	03ALPL610	10	03OTPL610			
Ø 7,1	12	03ARPL612	12	03IXPL612	12	03ALPL612	12	03OTPL612	Ø 7,1	12	03OTPL625
	15	03ARPL615	15	03IXPL615	15	03ALPL615	15	03OTPL615			
	16	03ARPL616	16	03IXPL616	16	03ALPL616	16	03OTPL616			
	20	03ARPL620	20	03IXPL620	20	03ALPL620	20	03OTPL620			
	25	03ARPL625	25	03IXPL625	25	03ALPL625	25	03OTPL625			
	30	03ARPL630	30	03IXPL630	30	03ALPL630	30	03OTPL630			
	35	03ARPL635	35	03IXPL635	35	03ALPL635	35	03OTPL635			
	40	03ARPL640	40	03IXPL640	40	03ALPL640	40	03OTPL640			
Ø 7,1	45	03ARPL645	45	03IXPL645	45	03ALPL645	45	03OTPL645	Ø 7,1	45	03OTPL655
	50	03ARPL650	50	03IXPL650	50	03ALPL650	50	03OTPL650			
	10	03ARPL710	10	03IXPL710	10	03ALPL710	10	03OTPL710			
	12	03ARPL712	12	03IXPL712	12	03ALPL712	12	03OTPL712			
	15	03ARPL715	15	03IXPL715	15	03ALPL715	15	03OTPL715			
	16	03ARPL716	16	03IXPL716	16	03ALPL716	16	03OTPL716			
	20	03ARPL720	20	03IXPL720	20	03ALPL720	20	03OTPL720			
	25	03ARPL725	25	03IXPL725	25	03ALPL725	25	03OTPL725			
Ø 8	30	03ARPL730	30	03IXPL730	30	03ALPL730	30	03OTPL730	Ø 8	30	03OTPL735
	35	03ARPL735	35	03IXPL735	35	03ALPL735	35	03OTPL735			
	40	03ARPL740	40	03IXPL740	40	03ALPL740	40	03OTPL740			
	45	03ARPL745	45	03IXPL745	45	03ALPL745	45	03OTPL745			
	50	03ARPL750	50	03IXPL750	50	03ALPL750	50	03OTPL750			
	55	03ARPL755	55	03IXPL755	55	03ALPL755	55	03OTPL755			
	12	03ARPL812	12	03IXPL812	12	03ALPL812	12	03OTPL812			
	15	03ARPL815	15	03IXPL815	15	03ALPL815	15	03OTPL815			
Ø 10,8	16	03ARPL816	16	03IXPL816	16	03ALPL816	16	03OTPL816	Ø 10,8	16	03OTPL835
	20	03ARPL820	20	03IXPL820	20	03ALPL820	20	03OTPL820			
	25	03ARPL825	25	03IXPL825	25	03ALPL825	25	03OTPL825			
	30	03ARPL830	30	03IXPL830	30	03ALPL830	30	03OTPL830			
	35	03ARPL835	35	03IXPL835	35	03ALPL835	35	03OTPL835			
	40	03ARPL840	40	03IXPL840	40	03ALPL840	40	03OTPL840			
	15	03ARPL1015	15	03IXPL1015	15	03ALPL1015	15	03OTPL1015			
	20	03ARPL1020	20	03IXPL1020	20	03ALPL1020	20	03OTPL1020			
25	03ARPL1025	25	03IXPL1025	25	03ALPL1025	25	03OTPL1025				
30	03ARPL1030	30	03IXPL1030	30	03ALPL1030	30	03OTPL1030				
35	03ARPL1035	35	03IXPL1035	35	03ALPL1035	35	03OTPL1035				
40	03ARPL1040	40	03IXPL1040	40	03ALPL1040	40	03OTPL1040				

PERNI CON FILETTO A DENTE DI SEGA A SCARICA DI CONDENSATORI

CAPACITOR DISCHARGE WELDING STUDS WITH COARSE
GROBGEWINDEBOLZEN FÜR SPITZENZÜNDUNG
GOUJONS SAPIN PAR DÉCHARGE DE CONDENSATEURS
PERNOS DE VARILLA PARA SOLDAR CON DESCARGA

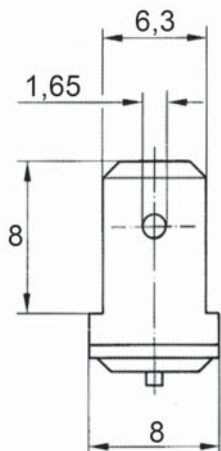


D	L + 0,6	D1 ± 0,2	D2 ± 0,08	L1 ± 0,05	A	L2
ø5	vd. sotto see below	6,5	0,75	0,8	1,4-0,6	L1-0,3

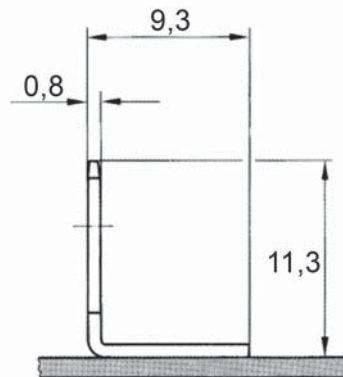
ACCIAIO 4.8 RAMATO COPPERED PLATED STEEL 4.8 STAHL 4.8 VERKUPFERT ACIER 4.8 CUIVRÉ ACERO 4.8 COBREDO			ACCIAIO INOX A2-50 STAINLESS STEEL A2-50 ROSTFREIER STAHL A2-50 INOX A2-50 INOX A2-50			ALLUMINIO AIMg3 ALUMINIUM AIMg3 ALUMINIUM AIMg3 ALUMINIUM AIMg3 ALUMINIO AIMg3		
Diametro Diameter	Lunghezza Length	Codice Code	Diametro Diameter	Lunghezza Length	Codice Code	Diametro Diameter	Lunghezza Length	Codice Code
Ø 5	9	03ARAN509	Ø 5	9	03IXAN509	Ø 5	9	03ALAN509
	14,2	03ARAN515		14,2	03IXAN515		14,2	03ALAN515
	16,5	03ARAN516		16,5	03IXAN516		16,5	03ALAN516
	18	03ARAN518		18	03IXAN518		18	03ALAN518
	25	03ARAN525		25	03IXAN525		25	03ALAN525

Disponibili su richiesta anche in Alluminio AIMg5
Available upon request in Aluminium AIMg5

FASTON A SCARICA DI CONDENSATORI
CAPACITOR DISCHARGE FASTON
FLACHSTECKER FÜR SPITZENZÜNDUNG
COSSE PAR DÉCHARGE DE CONDENSATEURS
FASTON PARA SOLDAR CON DESCARGA



PRIMA DELLA SALDATURA
 BEFORE WELDING
 VOR DEM SCHWEISSEN
 AVANT SOUDAGE
 ANTES DE SOLDAR



DOPO LA SALDATURA
 AFTER WELDING
 NACH DEM SCHWEISSEN
 APRÈS SOUDAGE
 DESPUES DE SOLDAR

FASTON SINGOLO
SINGLE FLAT PLUG TYP F1
FLACHSTECKER
COSSE SIMPLE
FASTON SIMPLE



ACCIAIO 4.8 RAMATO
 COPPERED PLATED STEEL
 4.8 STAHL 4.8 VERKUPFERT
 ACIER 4.8 CUIVRÉ
 ACERO 4.8 COBREADO

Codice
 Code

03ARFS

ACCIAIO INOX A2-50
 STAINLESS STEEL A2-50
 ROSTFREIER STAHL A2-50
 INOX A2-50
 INOX A2-50

Codice
 Code

03IXFS

ALLUMINIO AIMg3
 ALUMINIUM AIMg3
 ALUMINIUM AIMg3
 ALUMINIUM AIMg3
 ALUMINIO AIMg3

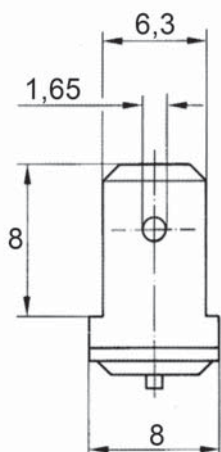
Codice
 Code

03ALFS

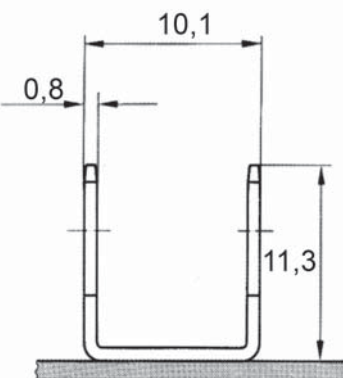
OTTONE CuZn37
 BRASS CuZn37
 MESSING CuZn37
 LAITON CuZn37
 LATÓN CuZn37

Codice
 Code

03CUFS



PRIMA DELLA SALDATURA
 BEFORE WELDING
 VOR DEM SCHWEISSEN
 AVANT SOUDAGE
 ANTES DE SOLDAR



DOPO LA SALDATURA
 AFTER WELDING
 NACH DEM SCHWEISSEN
 APRÈS SOUDAGE
 DESPUES DE SOLDAR

FASTON DOPPIO
DOUBLE FLAT PLUG TYP F2
DOPPEL FLACHSTECKER
COSSE DOUBLE
FASTON DOBLE



ACCIAIO 4.8 RAMATO
 COPPERED PLATED STEEL
 4.8 STAHL 4.8 VERKUPFERT
 ACIER 4.8 CUIVRÉ
 ACERO 4.8 COBREADO

Codice
 Code

03ARFD

ACCIAIO INOX A2-50
 STAINLESS STEEL A2-50
 ROSTFREIER STAHL A2-50
 INOX A2-50
 INOX A2-50

Codice
 Code

03IXFD

ALLUMINIO AIMg3
 ALUMINIUM AIMg3
 ALUMINIUM AIMg3
 ALUMINIUM AIMg3
 ALUMINIO AIMg3

Codice
 Code

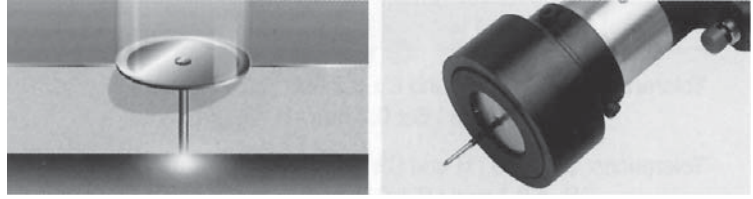
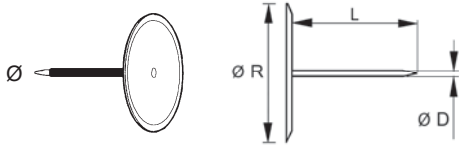
03ALFD

OTTONE CuZn37
 BRASS CuZn37
 MESSING CuZn37
 LAITON CuZn37
 LATÓN CuZn37

Codice
 Code

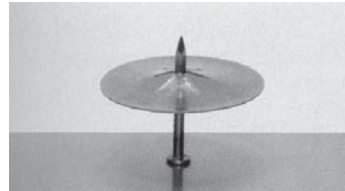
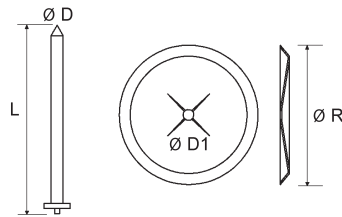
03CUFD

ARPIONCINI PER ISOLAMENTI TERMICI
CUPPED HEAD PINS WITH INSULATION
TELLERSTIFTE MIT ISOLIERUNG
CLOU D'ISOLATION
PINS DE AISLAMIENTO

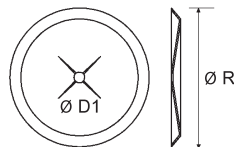


ACCIAIO 4.8 ZINCATO ZINC PLATED STEEL 4.8 STAHL VZ ACIER ZINGUÉ ACERO CINCADO			ACCIAIO INOX A2-50 STAINLESS STEEL A2-50 ROSTFREIER STAHL A2-50 INOX A2-50 INOX A2-50		
L ± 0,2	Ø D ± 0,05	R ± 0,2	L ± 0,2	Ø D ± 0,05	R ± 0,2
9,5 - 54	2	30	9,5 - 54	2	30
9,5 - 54	2.7	30 - 38	9,5 - 54	2.7	30 - 38

CHIODI PER ISOLAMENTO E CLIP
INSULATING NAILS AND CLIP



ACCIAIO 4.8 RAMATO COPPER PLATED STEEL 4.8 STAHL 4.8 VERKUPFERT ACIER 4.8 CUIVRÉ ACERO 4.8 COBREADO				ACCIAIO INOX A2-50 STAINLESS STEEL A2-50 ROSTFREIER STAHL A2-50 INOX A2-50 INOX A2-50				INOX AISI 316 STAINLESS STEEL AISI316 ROSTFREIER STAHL AISI 316 INOX AISI 316 INOX AISI 316				ALLUMINIO AIMg3 ALUMINIUM AIMg3 ALUMINIUM AIMg3 ALUMINIUM AIMg3 ALUMINIO AIMg3			
L	Ø D	Ø D1	R	L	Ø D	Ø D1	R	L	Ø D	Ø D1	R	L	Ø D	Ø D1	R
10 - 200	2	1,8	38	10 - 200	2	1,8	38	10 - 200	2	1,8	38	10 - 200	2	1,8	38
10 - 200	2,6	2,4	38	10 - 200	2,6	2,4	38	10 - 200	2,6	2,4	38	10 - 200	2,6	2,4	38
10 - 225	3	2,8	38 - 60	10 - 225	3	2,8	38 - 60	10 - 225	3	2,8	38 - 60	10 - 150	3	2,8	38 - 60



ACCIAIO 4.8 ZINCATO ZINC PLATED STEEL 4.8 STAHL VZ ACIER ZINGUÉ ACERO CINCADO		ACCIAIO INOX A2-50 STAINLESS STEEL A2-50 ROSTFREIER STAHL A2-50 INOX A2-50 INOX A2-50	
Ø D1	R	Ø D1	R
1,8	38 - 60	1,8	38 - 60
2,4	38 - 60	2,4	38 - 60
2,8	38 - 60	2,8	38 - 60

SALDATRICI A SCARICA DI CONDENSATORI
CAPACITOR DISCHARGE STUD WELDERS
SCHWEISSGERÄTE FÜR SPITZENZÜNDUNG
SOUDEUSE PAR DÉCHARGE DE CONDENSATEURS
SOLDADOR POR DESCARGA

CODICE/CODE

03CD33



CARATTERISTICHE TECNICHE
TECHNICAL FEATURES

Pezzi saldabili al minuto <i>Weldable pieces per minute</i>	max 14 ÷ 45
Dimensioni corpo macchina <i>Machine body dimensions</i>	16x42x23 cm.
Alimentazione <i>Power supply</i>	230V - 50Hz
Capacità di carica <i>Charge capacity</i>	33.000 µF
Energia <i>Electricity</i>	700 Joule
Tempo max di ricarica <i>Max recharging time</i>	5,5 sec.
Potenza max assorbita <i>Max power consumption</i>	500 W
Grado di protezione <i>Degree of protection</i>	IP 23
Peso corpo macchina <i>Machine body weight</i>	12,5 Kg

UTILIZZO
CAPACITY

FILETTO THREAD	ALLUMINIO ALUMINIUM	ACCIAIO STEEL	INOX STAINLESS STEEL
M3	●	●	●
M4	●	●	●
M5		●	

CANOTTO DI APPOGGIO D. 30mm.
SUPPORT TUBE D. 30mm.
STÜTZROHR D. 30mm.
CENTREUR D. 30mm.
ACCESORIO CENTRADOR D. 30mm.



03CANCD33

CODICE
CODE

04PPM3

04PPM4

04PPM5

Porta perni
Chuck
Bolzenhalter
Mandrin
Porta terminal



PORTA PERNI PER FASTON

CHUCK FOR FLAT PLUG
BOLZENHALTER FÜR FLACHSTECKER
MANDRIN POUR COSSE
PORTA TERMINAL PARA FASTON



04PF

ANGOLARE

CORNER BRACKET
WINKELTRÄGER
MANDRIN ANGULAIRE
ESCUADRA



04A

SALDATRICI A SCARICA DI CONDENSATORI
CAPACITOR DISCHARGE STUD WELDERS
SCHWEISSGERÄTE FÜR SPITZENZÜNDUNG
SOUDEUSE PAR DÉCHARGE DE CONDENSATEURS
SOLDADOR POR DESCARGA

CODICE/CODE

03CD66



CARATTERISTICHE TECNICHE TECHNICAL FEATURES	
Pezzi saldabili al minuto <i>Weldable pieces per minute</i>	7 ÷ 20
Dimensioni corpo macchina <i>Machine body dimensions</i>	16x42x23 cm.
Alimentazione <i>Power supply</i>	230V - 50Hz
Capacità di carica <i>Charge capacity</i>	66.000 µF
Energia <i>Electricity</i>	1.320 Joule
Tempo max di ricarica <i>Max recharging time</i>	5 sec.
Potenza max assorbita <i>Max power consumption</i>	600 W
Grado di protezione <i>Degree of protection</i>	IP 23
Peso corpo macchina <i>Machine body weight</i>	14,2 Kg

UTILIZZO CAPACITY			
FILETTO THREAD	ALLUMINIO ALUMINIUM	ACCIAIO STEEL	INOX STAINLESS STEEL
M3	●	●	●
M4	●	●	●
M5	●	●	●
M6	●	●	●
M8		●	

DISPONIBILE LA VERSIONE 70 2P CON N. 2 PISTOLE
 70 2P VERSION AVAILABLE WITH TWO GUNS
 VERFÜGBAR VERSION 70 2P MIT 2 SCHWEISSPISTOLEN
 DISPONIBLE LA VERSION 70 2P AVEC 2 PISTOLETS
 DISPONIBLE LA VERSION 70 2P CON 2 PISTOLAS

PESO / DIMENSIONI
WEIGHT / DIMENSION
 21,5 Kg. 30x36x24 cm.

CODICE/CODE

03CD662P

CODICE CODE	Porta perni <i>Chuck</i> Bolzenhalter Mandrin Porta terminal
04PPM3	
04PPM4	
04PPM5	
04PPM6	
04PPM8	



CANOTTO DI APPOGGIO D. 30mm.
SUPPORT TUBE D. 30mm.
STÜTZROHR D. 30mm.
CENTREUR D. 30mm.
ACCESORIO CENTRADOR D. 30mm.



03CANCD66

PORTA PERNI PER FASTON
CHUCK FOR FLAT PLUG
BOLZENHALTER FÜR FLACHSTECKER
MANDRIN POUR COSSE
PORTA TERMINAL PARA FASTON



04PF

ANGOLARE
CORNER BRACKET
WINKELTRÄGER
MANDRIN ANGULAIRE
ESCUADRA



04A

SALDATRICI A SCARICA DI CONDENSATORI CAPACITOR DISCHARGE STUD WELDERS SCHWEISSGERÄTE FÜR SPITZENZÜNDUNG SOUDEUSE PAR DÉCHARGE DE CONDENSATEURS SOLDADOR POR DESCARGA

CODICE/CODE

03CDP66M

INVERTER

Display LCD e 32 programmi di saldatura personalizzabili
LCD display and 32 programs of customizable welding



CARATTERISTICHE TECNICHE TECHNICAL FEATURES	
Pezzi saldabili al minuto <i>Weldable pieces per minute</i>	20
Dimensioni corpo macchina <i>Machine body dimensions</i>	44x20x20 cm
Alimentazione <i>Power supply</i>	115/230V - 50/60 Hz - 10 AT
Capacità di carica <i>Charge capacity</i>	66.000 µF
Tensione <i>Voltage</i>	40 - 200V variabile con moderno potenziometro / variable with modern potentiometer
Tempo di saldatura <i>Welding time</i>	0,001 - 0,003 secondi / seconds
Grado di protezione <i>Degree of protection</i>	IP23
Peso corpo macchina <i>Machine body weight</i>	11,5 Kg

UTILIZZO CAPACITY				
FILETTO THREAD	ACCIAIO 4.8 RAMATO COPPERED PLATED STEEL	ALLUMINIO ALUMINIUM	OTTONE BRASS	INOX STAINLESS STEEL
M3	●	●	●	●
M4	●	●	●	●
M5	●	●	●	●
M6	●	●	●	●
M8	●		●	●

PISTOLE / GUNS

KP-8 a contatto cavo 6,5 m standard / *for contact welding 6.5 m cable standard*

HPL-8 a distanza (gap) 3 m specifica per alluminio / *for gap welding 3 m specific for aluminum*

HPL-8M a distanza (gap) 3 m con controllo di processo / *for gap welding 3 m with process control*

CODICE CODE	Porta perni <i>Chuck</i> Bolzenhalter <i>Mandrin</i> Porta terminal	
04PPM3		
04PPM4		
04PPM5		
04PPM6		
04PPM8		

CANOTTO DI APPOGGIO D. 30mm.
SUPPORT TUBE D. 30mm.
STÜTZROHR D. 30mm.
CENTREUR D. 30mm.
ACCESORIO CENTRADOR D. 30mm. **0CANCDP66M**



PORTA PERNI PER FASTON
CHUCK FOR FLAT PLUG
BOLZENHALTER FÜR FLACHSTECKER
MANDRIN POUR COSSE
PORTA TERMINAL PARA FASTON **04PF**



ANGOLARE
CORNER BRACKET
WINKELTRÄGER
MANDRIN ANGULAIRE
ESCUADRA **04A**



SALDATRICI A SCARICA DI CONDENSATORI
CAPACITOR DISCHARGE STUD WELDERS
SCHWEISSGERÄTE FÜR SPITZENZÜNDUNG
SOUDEUSE PAR DÉCHARGE DE CONDENSATEURS
SOLDADOR POR DESCARGA

CODICE/CODE

03CD99



CARATTERISTICHE TECNICHE <i>TECHNICAL FEATURES</i>	
Pezzi saldabili al minuto <i>Weldable pieces per minute</i>	11 ÷ 35
Dimensioni corpo macchina <i>Machine body dimensions</i>	16x42x23 cm
Alimentazione <i>Power supply</i>	230V - 50/60 Hz
Capacità <i>Capacity</i>	99.000 µF
Energia <i>Electricity</i>	2.100 Joule
Tempo max di ricarica <i>Max recharging time</i>	5,5 sec.
Potenza max assorbita <i>Max power consumption</i>	900 W
Grado di protezione <i>Degree of protection</i>	IP 23
Peso corpo macchina <i>Machine body weight</i>	17 Kg

UTILIZZO <i>CAPACITY</i>			
FILETTO <i>THREAD</i>	ALLUMINIO <i>ALUMINIUM</i>	ACCIAIO <i>STEEL</i>	INOX <i>STAINLESS STEEL</i>
M3	●	●	●
M4	●	●	●
M5	●	●	●
M6	●	●	●
M8	●	●	●
M10		●	

CODICE/CODE

03CD992P

DISPONIBILE LA VERSIONE 90 2P CON N. 2 PISTOLE
 90 2P VERSION AVAILABLE WITH TWO GUNS
 VERFÜGBAR VERSION 90 2P MIT 2 SCHWEISSPISTOLEN
 DISPONIBLE LA VERSION 90 2P AVEC 2 PISTOLETS
 DISPONIBLE LA VERSION 90 2P CON 2 PISTOLAS

PESO / DIMENSIONI
WEIGHT / DIMENSION
 21,5 Kg. 30x36x24 Cm.

CODICE <i>CODE</i>	Porta perni Chuck Bolzenhalter Mandrin Porta terminal	
04PPM3		
04PPM4		
04PPM5		
04PPM6		
04PPM8		
04PPM10		

CANOTTO DI APPOGGIO D. 30mm. SUPPORT TUBE D. 30mm. STÜTZROHR D. 30mm. CENTREUR D. 30mm. ACCESORIO CENTRADOR D. 30mm.		0CANCD99
---	--	----------

PORTA PERNI PER FASTON CHUCK FOR FLAT PLUG BOLZENHALTER FÜR FLACHSTECKER MANDRIN POUR COSSE PORTA TERMINAL PARA FASTON		04PF
---	--	------

ANGOLARE CORNER BRACKET WINKELTRÄGER MANDRIN ANGULAIRE ESCUADRA		04A
--	--	-----

SALDATRICI A SCARICA DI CONDENSATORI CAPACITOR DISCHARGE STUD WELDERS SCHWEISSGERÄTE FÜR SPITZENZÜNDUNG SOUDEUSE PAR DÉCHARGE DE CONDENSATEURS SOLDADOR POR DESCARGA

CODICE/CODE

03CDP99M

INVERTER

Display LCD e 32 programmi di saldatura personalizzabili
LCD display and 32 programs of customizable welding



CARATTERISTICHE TECNICHE TECHNICAL FEATURES	
Pezzi saldabili al minuto <i>Weldable pieces per minute</i>	20
Dimensioni corpo macchina <i>Machine body dimensions</i>	44x20x20 cm
Alimentazione <i>Power supply</i>	115/230V – 50/60 Hz 10 AT
Capacità di carica <i>Charge capacity</i>	99.000 µF
Tensione <i>Voltage</i>	40 - 200V variabile con moderno potenziometro / variable with modern potentiometer
Tempo di saldatura <i>Welding time</i>	0,001 – 0,003 secondi / seconds
Grado di protezione <i>Degree of protection</i>	IP23
Peso corpo macchina <i>Machine body weight</i>	12 Kg

UTILIZZO CAPACITY				
FILETTO THREAD	ACCIAIO 4.8 RAMATO COPPERED PLATED STEEL	ALLUMINIO ALUMINIUM	OTTONE BRASS	INOX STAINLESS STEEL
M3	•	•	•	•
M4	•	•	•	•
M5	•	•	•	•
M6	•	•	•	•
M8	•	•	•	•
M10	•			•

PISTOLE / GUNS

KP-8 a contatto cavo 6,5 m standard / *for contact welding 6.5 m cable standard*

HPL-8 a distanza (gap) 3 m specifica per alluminio / *for gap welding 3 m specific for aluminum*

HPL-8M a distanza (gap) 3 m con controllo processo / *for gap welding 3 m with process control*

ATP-8 3 m semi automatica / *3 m semi-automatic*

CODICE CODE	Porta perni <i>Chuck</i> Bolzenhalter Mandrin Porta terminal	
04PPM3		
04PPM4		
04PPM5		
04PPM6		
04PPM8		
04PPM10		

CANOTTO DI APPOGGIO D. 30mm.
SUPPORT TUBE D. 30mm.
STÜTZROHR D. 30mm.
CENTREUR D. 30mm.
ACCESORIO CENTRADOR D. 30mm. **03CANCDP99M**



PORTA PERNI PER FASTON
CHUCK FOR FLAT PLUG
BOLZENHALTER FÜR FLACHSTECKER
MANDRIN POUR COSSE
PORTA TERMINAL PARA FASTON **04PF**



ANGOLARE
CORNER BRACKET
WINKELTRÄGER
MANDRIN ANGULAIRE
ESCUADRA **04A**



SALDATRICI A SCARICA DI CONDENSATORI
CAPACITOR DISCHARGE STUD WELDERS
SCHWEISSGERÄTE FÜR SPITZENZÜNDUNG
SOUDEUSE PAR DÉCHARGE DE CONDENSATEURS
SOLDADOR POR DESCARGA

CODICE/CODE

03CDP133M

INVERTER

Display LCD e 32 programmi di saldatura personalizzabili
 LCD display and 32 programs of customizable welding



CARATTERISTICHE TECNICHE <i>TECHNICAL FEATURES</i>	
Pezzi saldabili al minuto <i>Weldable pieces per minute</i>	20
Dimensioni corpo macchina <i>Machine body dimensions</i>	46x30x26 cm
Alimentazione <i>Power supply</i>	115/230V – 50/60 Hz 16 AT
Capacità di carica <i>Charge capacity</i>	44.000 µF - 88.000 µF – 132.000 88.000 µF modificabili / <i>changeable</i>
Tensione <i>Voltage</i>	50 - 200V variabile con moderno potenziometro / <i>variable with modern potentiometer</i>
Tempo di saldatura <i>Welding time</i>	0,001 – 0,003 secondi / <i>seconds</i>
Grado di protezione <i>Degree of protection</i>	IP23
Peso corpo macchina <i>Machine body weight</i>	16 - 18 Kg

UTILIZZO <i>CAPACITY</i>				
FILETTO THREAD	ACCIAIO 4.8 RAMATO COPPERED PLATED STEEL	ALLUMINIO ALUMINIUM	OTTONE BRASS	INOX STAINLESS STEEL
M3	●	●	●	●
M4	●	●	●	●
M5	●	●	●	●
M6	●	●	●	●
M8	●	●	●	●
M10	●			●

PISTOLE / GUNS

KP-8 a contatto cavo 6,5 m standard / *for contact welding 6.5 m cable standard*

HPL-8 a distanza (gap) 3 m specifica per alluminio / *for gap welding 3 m specific for aluminum*

HPL-8M a distanza (gap) 3 m con controllo processo / *for gap welding 3 m with process control*

ATP-8 3 m semi automatica / *3 m semi-automatic*

CODICE CODE	Porta perni Chuck Bolzenhalter Mandrin Porta terminal	
04PPM3		
04PPM4		
04PPM5		
04PPM6		
04PPM8		
04PPM10		

CANOTTO DI APPOGGIO D. 30mm.
SUPPORT TUBE D. 30mm.
STÜTZROHR D. 30mm.
CENTREUR D. 30mm.
ACCESORIO CENTRADOR D. 30mm. **03CANCDP133M**



PORTA PERNI PER FASTON
CHUCK FOR FLAT PLUG
BOLZENHALTER FÜR FLACHSTECKER
MANDRIN POUR COSSE
PORTA TERMINAL PARA FASTON **04PF**



ANGOLARE
CORNER BRACKET
WINKELTRÄGER
MANDRIN ANGULAIRE
ESCUADRA **04A**



SALDATRICI A SCARICA DI CONDENSATORI A BATTERIA
BATTERY CAPACITOR DISCHARGE STUD WELDERS
AKKU SCHWEISSGERÄTE FÜR SPITZENZÜNDUNG
SOUDEUSE SUR BATTERIE PAR DÉCHARGE DE CONDENSATEURS
SOLDADOR A BATERIA POR DESCARGA

CODICE/CODE

03ABS AKKU



CARATTERISTICHE TECNICHE TECHNICAL FEATURES	
Pezzi saldabili al minuto <i>Weldable pieces per minute</i>	circa 200 doppie saldature / approx. 200 dual weldings
Dimensioni corpo macchina <i>Machine body dimensions</i>	380X135X230 mm.
Alimentazione <i>Power supply</i>	115/230V - 50/60 HZ - 10 AT
Capacità di carica <i>Charge capacity</i>	80 Mf
Tensione <i>Voltage</i>	90 V
Tempo massimo di ricarica <i>Maximum recharging time</i>	30 sec.
Tempo ricarica batteria <i>Battery recharging time</i>	9 h
Grado di protezione <i>Degree of protection</i>	IP23
Peso corpo macchina <i>Machine body weight</i>	8 Kg

UTILIZZO CAPACITY				
FILETTO THREAD	ACCIAIO 4.8 RAMATO COPPERED PLATED STEEL	ALLUMINIO ALUMINIUM	OTTONE BRASS	INOX STAINLESS STEEL
M3	●	●	●	●

PISTOLA / GUN
KP-8ABS

POSSIBILITA' DI SALDARE 2 VITI
CONTEMPORANEAMENTE
CON PASSO DA 25 A 63

ABILITY TO WELD 2 SCREWS
AT THE SAME TIME
WITH PITCH FROM 25 TO 63

CODICE CODE	Porta perni Chuck Bolzenhalter Mandrin Porta terminal	
04PPM3		
04PPM4		
04PPM5		
04PPM6		
04PPM8		
04PPM10		

CANOTTO DI APPOGGIO D. 30mm.
SUPPORT TUBE D. 30mm.
STÜTZROHR D. 30mm.
CENTREUR D. 30mm. **03CANABS AKKU**
ACCESORIO CENTRADOR D. 30mm.



PORTA PERNI PER FASTON
CHUCK FOR FLAT PLUG
BOLZENHALTER FÜR FLACHSTECKER
MANDRIN POUR COSSE
PORTA TERMINAL PARA FASTON **04PF**



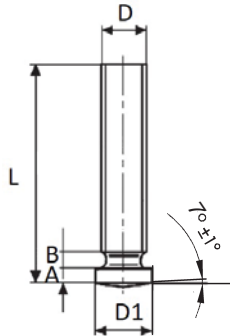
ANGOLARE
CORNER BRACKET
WINKELTRÄGER
MANDRIN ANGULAIRE
ESCUADRA **04A**



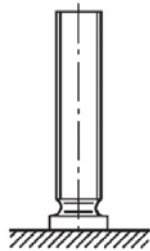
PERNI A SALDARE AD ARCO CORTO
SHORT CYCLE WELDING STUDS
KURZZEIT-HUBZÜNDUNG BOLZEN
GOUJONS À SOUDER EN ARC TEMPS COURT
PERNOS SOLDADURA CON ARCO CORTO

DIN EN ISO 13918

PS



PRIMA DELLA SALDATURA
 BEFORE WELDING
 VOR DEM SCHWEISSEN
 AVANT SOUDAGE
 ANTES DE SOLDAR



DOPO LA SALDATURA
 AFTER WELDING
 NACH DEM SCHWEISSEN
 APRÈS SOUDAGE
 DESPUES DE SOLDAR

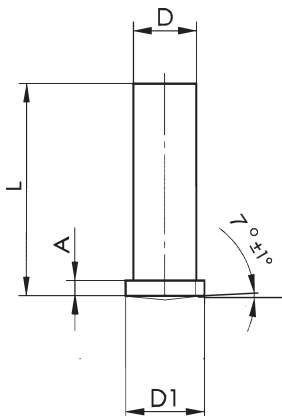
D	L	D1 ± 0,2	A	B max
M5		6	0,7 - 1,4	1
M6		7		
M8	vd. sotto see below	9	0,8 - 1,4	1,5
M10		11		2
M12		12,60		

ACCIAIO 4.8 RAMATO COPPERED PLATED STEEL 4.8 STAHL 4.8 VERKUPFERT ACIER 4.8 CUIVRÉ ACERO 4.8 COBREADO			ACCIAIO 4.8 RAMATO COPPERED PLATED STEEL 4.8 STAHL 4.8 VERKUPFERT ACIER 4.8 CUIVRÉ ACERO 4.8 COBREADO			ACCIAIO INOX A2-50 STAINLESS STEEL A2-50 ROSTFREIER STAHL A2-50 INOX A2-50 INOX A2-50			ACCIAIO INOX A2-50 STAINLESS STEEL A2-50 ROSTFREIER STAHL A2-50 INOX A2-50 INOX A2-50			
Filetto Thread Size	Lunghezza Length	Codice Code	Filetto Thread Size	Lunghezza Length	Codice Code	Filetto Thread Size	Lunghezza Length	Codice Code	Filetto Thread Size	Lunghezza Length	Codice Code	
M5	8	03ARPR508AC	M8	10	03ARPR810AC	M5	8	03IXPR508AC	M8	10	03IXPR810AC	
	10	03ARPR510AC		12	03ARPR812AC		10	03IXPR510AC		12	03IXPR812AC	
	12	03ARPR512AC		15	03ARPR815AC		12	03IXPR512AC		15	03IXPR815AC	
	15	03ARPR515AC		16	03ARPR816AC		15	03IXPR515AC		16	03IXPR816AC	
	16	03ARPR516AC		20	03ARPR820AC		16	03IXPR516AC		20	03IXPR820AC	
	20	03ARPR520AC		25	03ARPR825AC		20	03IXPR520AC		25	03IXPR825AC	
	25	03ARPR525AC		30	03ARPR830AC		25	03IXPR525AC		30	03IXPR830AC	
	30	03ARPR530AC		35	03ARPR835AC		30	03IXPR530AC		35	03IXPR835AC	
M6	35	03ARPR535AC	40	03ARPR840AC	M6	10	03IXPR610AC	M10	40	03IXPR840AC		
	10	03ARPR610AC	45	03ARPR845AC		12	03IXPR612AC		45	03IXPR845AC		
	12	03ARPR612AC	M10	12		03ARPR1012AC	15		03IXPR615AC	12	03IXPR1012AC	
	15	03ARPR615AC		15		03ARPR1015AC	16		03IXPR616AC	15	03IXPR1015AC	
	16	03ARPR616AC		16		03ARPR1016AC	20		03IXPR620AC	16	03IXPR1016AC	
	20	03ARPR620AC		20		03ARPR1020AC	25		03IXPR625AC	20	03IXPR1020AC	
	25	03ARPR625AC		25		03ARPR1025AC	30		03IXPR630AC	25	03IXPR1025AC	
	30	03ARPR630AC		30		03ARPR1030AC	35		03IXPR635AC	30	03IXPR1030AC	
	35	03ARPR635AC		35		03ARPR1035AC	40		03IXPR640AC	35	03IXPR1035AC	
	40	03ARPR640AC		40		03ARPR1040AC	45		03IXPR645AC	40	03IXPR1040AC	
	45	03ARPR645AC		45		03ARPR1045AC	50		03IXPR650AC	M12	15	03IXPR1215AC
	50	03ARPR650AC		50		03ARPR1050AC	M12		15		03ARPR1215AC	16
		16		03ARPR1216AC	20	03ARPR1220AC		20	03IXPR1220AC			
		20		03ARPR1220AC	25	03ARPR1225AC		25	03IXPR1225AC			
		25	03ARPR1225AC	30	03ARPR1230AC	30		03IXPR1230AC				
		30	03ARPR1230AC	35	03ARPR1235AC	35		03IXPR1235AC				
		35	03ARPR1235AC	40	03ARPR1240AC	40		03IXPR1240AC				
		40	03ARPR1240AC									

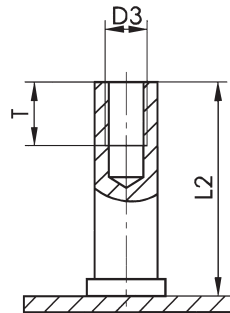
BUSSOLE A SALDARE AD ARCO CORTO
SHORT CYCLE TAPPED STUDS
KURZZEIT-HUBZÜNDUNG INNENGEWINDEBUCHSEN
DOUILLES TARAUDÉES À SOUDER EN ARC TEMPS COURT
PERNOS CON ROSCA INTERIOR PARA SOLDAR CON ARCO CORTO

DIN EN ISO 13918

IS



PRIMA DELLA SALDATURA
 BEFORE WELDING
 VOR DEM SCHWEISSEN
 AVANT SOUDAGE
 ANTES DE SOLDAR

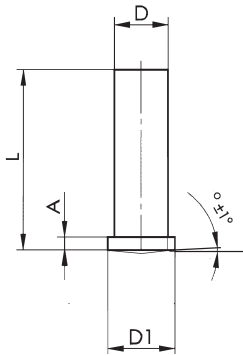


DOPO LA SALDATURA
 AFTER WELDING
 NACH DEM SCHWEISSEN
 APRÈS SOUDAGE
 DESPUES DE SOLDAR

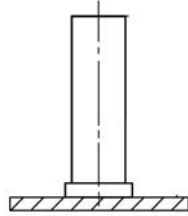
D ± 0,1	L	D1 ± 0,2	A	D3	T Min.
5	vd. sotto see below	6	0,7 - 1,4	M3	4
6		7		M4	5
7,1		9	0,8 - 1,4	M5	6
8		9		M6	10

ACCIAIO 4.8 RAMATO COPPERED PLATED STEEL 4.8 STAHL 4.8 VERKÜPFERT ACIER 4.8 CUIVRÉ ACERO 4.8 COBREDO			ACCIAIO 4.8 RAMATO COPPERED PLATED STEEL 4.8 STAHL 4.8 VERKÜPFERT ACIER 4.8 CUIVRÉ ACERO 4.8 COBREDO			ACCIAIO INOX A2-50 STAINLESS STEEL A2-50 ROSTFREIER STAHL A2-50 INOX A2-50 INOX A2-50			ACCIAIO INOX A2-50 STAINLESS STEEL A2-50 ROSTFREIER STAHL A2-50 INOX A2-50 INOX A2-50		
Filetto Thread Size	Lunghezza Length	Codice Code	Filetto Thread Size	Lunghezza Length	Codice Code	Filetto Thread Size	Lunghezza Length	Codice Code	Filetto Thread Size	Lunghezza Length	Codice Code
M3	6	03ARBU3506AC	M5	10	03ARBU5710AC	M3	6	03IXBU3506AC	M5	10	03IXBU5710AC
	8	03ARBU3508AC		12	03ARBU5712AC		8	03IXBU3508AC		12	03IXBU5712AC
	10	03ARBU3510AC		15	03ARBU5715AC		10	03IXBU3510AC		15	03IXBU5715AC
	12	03ARBU3512AC		16	03ARBU5716AC		12	03IXBU3512AC		16	03IXBU5716AC
	15	03ARBU3515AC		20	03ARBU5720AC		15	03IXBU3515AC		20	03IXBU5720AC
	16	03ARBU3516AC		25	03ARBU5725AC		16	03IXBU3516AC		25	03IXBU5725AC
	20	03ARBU3520AC		30	03ARBU5730AC		20	03IXBU3520AC		30	03IXBU5730AC
	25	03ARBU3525AC		35	03ARBU5735AC		25	03IXBU3525AC		35	03IXBU5735AC
30	03ARBU3530AC	40	03ARBU5740AC	30	03IXBU3530AC	40	03IXBU5740AC				
M4	8	03ARBU4608AC	M6	15	03ARBU6815AC	M4	8	03IXBU4608AC	M6	15	03IXBU6815AC
	10	03ARBU4610AC		16	03ARBU6816AC		10	03IXBU4610AC		16	03IXBU6816AC
	12	03ARBU4612AC		20	03ARBU6820AC		12	03IXBU4612AC		20	03IXBU6820AC
	15	03ARBU4615AC		25	03ARBU6825AC		15	03IXBU4615AC		25	03IXBU6825AC
	16	03ARBU4616AC		30	03ARBU6830AC		16	03IXBU4616AC		30	03IXBU6830AC
	20	03ARBU4620AC		35	03ARBU6835AC		20	03IXBU4620AC		35	03IXBU6835AC
	25	03ARBU4625AC		40	03ARBU6840AC		25	03IXBU4625AC		40	03IXBU6840AC
	30	03ARBU4630AC					30	03IXBU4630AC			
	35	03ARBU4635AC					35	03IXBU4635AC			
	40	03ARBU4640AC					40	03IXBU4640AC			

PERNI LISCI A SALDARE AD ARCO CORTO
UNTHREADED SHORT CYCLE WELDING STUDS
KURZZEIT-HUBZÜNDUNG SCHWEISSSTIFTE
GOUJONS LISSES À SOUDER EN ARC TEMPS COURT
PERNOS SIN ROSCA PARA SOLDAR CON ARCO CORTO



PRIMA DELLA SALDATURA
 BEFORE WELDING
 VOR DEM SCHWEISSEN
 AVANT SOUDAGE
 ANTES DE SOLDAR



DOPO LA SALDATURA
 AFTER WELDING
 NACH DEM SCHWEISSEN
 APRÈS SOUDAGE
 DESPUES DE SOLDAR

DIN EN ISO 13918
US

D ± 0,1	L	D1 ± 0,2	A
3	vd. sotto see below	4	0,7-1,4
4		5	
5		6	
6		7	
7,1		9	0,8-1,4
8			

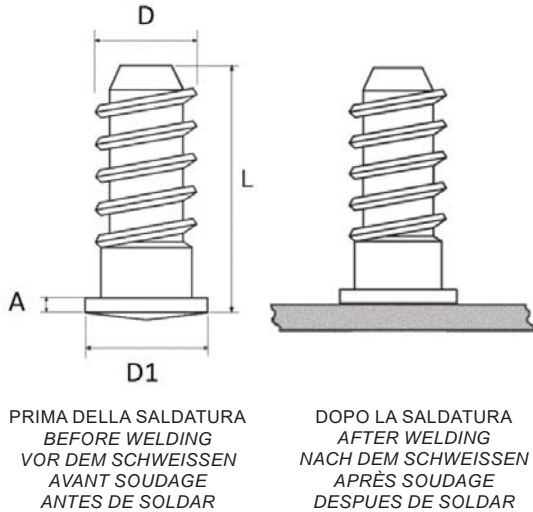
ACCIAIO 4.8 RAMATO COPPER PLATED STEEL 4.8 STAHL 4.8 VERKUPFERT ACIER 4.8 CUIVRE ACERO 4.8 COBREADO		
Diametro Diameter	Lunghezza Length	Codice Code
Ø 3	6	03ARPL306AC
	8	03ARPL308AC
	10	03ARPL310AC
	12	03ARPL312AC
	15	03ARPL315AC
	16	03ARPL316AC
	20	03ARPL320AC
	25	03ARPL325AC
Ø 4	30	03ARPL330AC
	6	03ARPL406AC
	8	03ARPL408AC
	10	03ARPL410AC
	12	03ARPL412AC
	15	03ARPL415AC
	16	03ARPL416AC
	20	03ARPL420AC
	25	03ARPL425AC
	30	03ARPL430AC
Ø 5	35	03ARPL435AC
	40	03ARPL440AC
	6	03ARPL506AC
	8	03ARPL508AC
	10	03ARPL510AC
	12	03ARPL512AC
	15	03ARPL515AC
	16	03ARPL516AC
	20	03ARPL520AC
	25	03ARPL525AC
	30	03ARPL530AC
	35	03ARPL535AC
	40	03ARPL540AC
	45	03ARPL545AC

ACCIAIO 4.8 RAMATO COPPER PLATED STEEL 4.8 STAHL 4.8 VERKUPFERT ACIER 4.8 CUIVRE ACERO 4.8 COBREADO		
Diametro Diameter	Lunghezza Length	Codice Code
Ø 6	8	03ARPL608AC
	10	03ARPL610AC
	12	03ARPL612AC
	15	03ARPL615AC
	16	03ARPL616AC
	20	03ARPL620AC
	25	03ARPL625AC
	30	03ARPL630AC
	35	03ARPL635AC
	40	03ARPL640AC
Ø 7,1	45	03ARPL645AC
	50	03ARPL650AC
	55	03ARPL655AC
	60	03ARPL660AC
	10	03ARPL710AC
	12	03ARPL712AC
	15	03ARPL715AC
	16	03ARPL716AC
	20	03ARPL720AC
	25	03ARPL725AC
Ø 8	30	03ARPL730AC
	35	03ARPL735AC
	40	03ARPL740AC
	45	03ARPL745AC
	50	03ARPL750AC
	55	03ARPL755AC
	60	03ARPL760AC
	15	03ARPL815AC
	16	03ARPL816AC
	20	03ARPL820AC
25	03ARPL825AC	
30	03ARPL830AC	
35	03ARPL835AC	
40	03ARPL840AC	
45	03ARPL845AC	
50	03ARPL850AC	
55	03ARPL855AC	
60	03ARPL860AC	

ACCIAIO INOX A2-50 STAINLESS STEEL A2-50 ROSTFREIER STAHL A2-50 INOX A2-50 INOX A2-50		
Diametro Diameter	Lunghezza Length	Codice Code
Ø 3	6	03IXPL306AC
	8	03IXPL308AC
	10	03IXPL310AC
	12	03IXPL312AC
	15	03IXPL315AC
	16	03IXPL316AC
	20	03IXPL320AC
	25	03IXPL325AC
	30	03IXPL330AC
	Ø 4	6
8		03IXPL408AC
10		03IXPL410AC
12		03IXPL412AC
15		03IXPL415AC
16		03IXPL416AC
20		03IXPL420AC
25		03IXPL425AC
30		03IXPL430AC
35		03IXPL435AC
Ø 5	40	03IXPL440AC
	6	03IXPL506AC
	8	03IXPL508AC
	10	03IXPL510AC
	12	03IXPL512AC
	15	03IXPL515AC
	16	03IXPL516AC
	20	03IXPL520AC
	25	03IXPL525AC
	30	03IXPL530AC
	35	03IXPL535AC
	40	03IXPL540AC
	45	03IXPL545AC

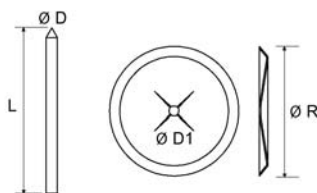
ACCIAIO INOX A2-50 STAINLESS STEEL A2-50 ROSTFREIER STAHL A2-50 INOX A2-50 INOX A2-50		
Diametro Diameter	Lunghezza Length	Codice Code
Ø 6	8	03IXPL608AC
	10	03IXPL610AC
	12	03IXPL612AC
	15	03IXPL615AC
	16	03IXPL616AC
	20	03IXPL620AC
	25	03IXPL625AC
	30	03IXPL630AC
	35	03IXPL635AC
	40	03IXPL640AC
Ø 7,1	45	03IXPL645AC
	50	03IXPL650AC
	55	03IXPL655AC
	60	03IXPL660AC
	10	03IXPL710AC
	12	03IXPL712AC
	15	03IXPL715AC
	16	03IXPL716AC
	20	03IXPL720AC
	25	03IXPL725AC
Ø 8	30	03IXPL730AC
	35	03IXPL735AC
	40	03IXPL740AC
	45	03IXPL745AC
	50	03IXPL750AC
	55	03IXPL755AC
	60	03IXPL760AC
	15	03IXPL815AC
	16	03IXPL816AC
	20	03IXPL820AC
25	03IXPL825AC	
30	03IXPL830AC	
35	03IXPL835AC	
40	03IXPL840AC	
45	03IXPL845AC	
50	03IXPL850AC	
55	03IXPL855AC	
60	03IXPL860AC	

PERNI CON FILETTO A DENTE DI SEGA AD ARCO CORTO
SHORT-CYCLE WELDING STUDS WITH COARSE
KURZZEIT-HUBZÜNDUNG GROBGEWINDEBOLZEN
GOUJONS SAPIN À SOUDER EN ARC TEMPS COURT
PERNOS ESPECIALES PARA SOLDAR CON ARCO CORTO



ACCIAIO 4.8 RAMATO COPPERED PLATED STEEL 4.8 STAHL 4.8 VERKUPFERT ACIER 4.8 CUIVRÉ ACERO 4.8 COBREDO				
D	L +0,6	D1 ± 0,2	A	Codice Code
5	9	6	0,6 - 1,4	03ARAN509AC
	12			03ARAN512AC
	14,2			03ARAN514AC
	16,5			03ARAN516AC
	18			03ARAN518AC
	25			03ARAN525AC

CHIODI PER ISOLAMENTO AD ARCO CORTO
SHORT-CYCLE STUDS INSULATION PINS
KURZZEIT-HUBZÜNDUNG TELLERSTIFTE MIT ISOLIERUNG
CLOU D'ISOLATION EN ARC TEMPS COURT
PINS DE AISLAMIENTO CON ARCO CORTO



ACCIAIO 4.8 RAMATO COPPER PLATED STEEL 4.8 STAHL 4.8 VERKUPFERT ACIER 4.8 CUIVRÉ ACERO 4.8 COBREDO				ACCIAIO INOX A2-50 STAINLESS STEEL A2-50 ROSTFREIER STAHL A2-50 INOX A2-50 INOX A2-50			
L	Ø D1	Ø D	R	L	Ø D1	Ø D	R
10 - 200	1,8	2	38	10 - 200	1,8	2	38
10 - 200	2,4	2,6	38	10 - 200	2,4	2,6	38
10 - 1000	2,8	3	38	10 - 1000	2,8	3	38
10 - 1000	3,8	4	38 - 60	10 - 1000	3,8	4	38 - 60

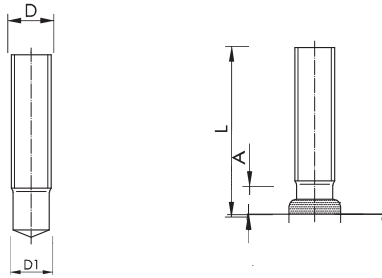
PERNI A SALDARE AD ARCO SOLLEVATO CON FERULA CERAMICA

DRAWN-ARC STUDS WITH CERAMIC FERRULES

HUBZÜNDUNG BOLZEN MIT KERAMIK RINGE

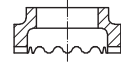
GOUJONS À SOUDER AVEC BAGUES REFRACTAIRES

PERNOS SOLDADURA ARCO CON FERULA CERAMICA

DIN EN ISO 13918
PD - MPF


PRIMA DELLA SALDATURA
BEFORE WELDING
VOR DEM SCHWEISSEN
AVANT SOUDAGE
ANTES DE SOLDAR

DOPO LA SALDATURA
AFTER WELDING
NACH DEM SCHWEISSEN
APRÈS SOUDAGE
DESPUES DE SOLDAR

DIN EN ISO 13918
PF - KSP


D	L	D1 ± 0,2	A
M6	vd. sotto see below	5,3	4,5
M8		7,1	5,0
M10		8,95	5,5
M12		10,5	6,5

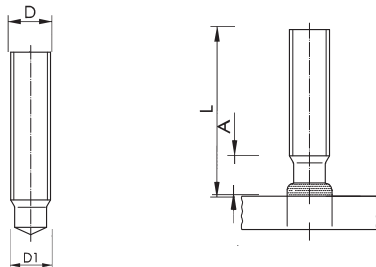
Diametro Diameter	Codice Code
M6	03KSP-F06
M8	03KSP-F08
M10	03KSP-F10
M12	03KSP-F12

NON VENDIBILI SEPARATAMENTE DAI PERNI
NOT TO BE SOLD SEPARATELY FROM THE STUDS

ACCIAIO 4.8 STEEL 4.8 STAHL 4.8 ACIER 4.8 ACERO 4.8			ACCIAIO 4.8 STEEL 4.8 STAHL 4.8 ACIER 4.8 ACERO 4.8			ACCIAIO INOX A2-50 STAINLESS STEEL A2-50 ROSTFREIER STAHL A2-50 INOX A2-50 INOX A2-50			ACCIAIO INOX A2-50 STAINLESS STEEL A2-50 ROSTFREIER STAHL A2-50 INOX A2-50 INOX A2-50		
Diametro Diameter	Lunghezza Length	Codice Code	Diametro Diameter	Lunghezza Length	Codice Code	Diametro Diameter	Lunghezza Length	Codice Code	Diametro Diameter	Lunghezza Length	Codice Code
M6	15	03AGPR615MPF	M10	15	03AGPR1015MPF	M6	15	03IXPR615MPF	M10	15	03IXPR1015MPF
	20	03AGPR620MPF		20	03AGPR1020MPF		20	03IXPR620MPF		20	03IXPR1020MPF
	25	03AGPR625MPF		25	03AGPR1025MPF		25	03IXPR625MPF		25	03IXPR1025MPF
	30	03AGPR630MPF		30	03AGPR1030MPF		30	03IXPR630MPF		30	03IXPR1030MPF
	35	03AGPR635MPF		35	03AGPR1035MPF		35	03IXPR635MPF		35	03IXPR1035MPF
	40	03AGPR640MPF		40	03AGPR1040MPF		40	03IXPR640MPF		40	03IXPR1040MPF
	45	03AGPR645MPF		45	03AGPR1045MPF		45	03IXPR645MPF		45	03IXPR1045MPF
	50	03AGPR650MPF		50	03AGPR1050MPF		50	03IXPR650MPF		50	03IXPR1050MPF
	55	03AGPR655MPF		55	03AGPR1055MPF		55	03IXPR655MPF		55	03IXPR1055MPF
	60	03AGPR660MPF		60	03AGPR1060MPF		60	03IXPR660MPF		60	03IXPR1060MPF
	70	03AGPR670MPF		70	03AGPR1070MPF		70	03IXPR670MPF		70	03IXPR1070MPF
80	03AGPR680MPF	80	03AGPR1080MPF	80	03IXPR680MPF	80	03IXPR1080MPF				
90	03AGPR690MPF	90	03AGPR1090MPF	90	03IXPR690MPF	90	03IXPR1090MPF				
100	03AGPR6100MPF	100	03AGPR10100MPF	100	03IXPR6100MPF	100	03IXPR10100MPF				
M8	15	03AGPR815MPF	M12	20	03AGPR1220MPF	M8	15	03IXPR815MPF	M12	20	03IXPR1220MPF
	20	03AGPR820MPF		25	03AGPR1225MPF		20	03IXPR820MPF		25	03IXPR1225MPF
	25	03AGPR825MPF		30	03AGPR1230MPF		25	03IXPR825MPF		30	03IXPR1230MPF
	30	03AGPR830MPF		35	03AGPR1235MPF		30	03IXPR830MPF		35	03IXPR1235MPF
	35	03AGPR835MPF		40	03AGPR1240MPF		35	03IXPR835MPF		40	03IXPR1240MPF
	40	03AGPR840MPF		45	03AGPR1245MPF		40	03IXPR840MPF		45	03IXPR1245MPF
	45	03AGPR845MPF		50	03AGPR1250MPF		45	03IXPR845MPF		50	03IXPR1250MPF
	50	03AGPR850MPF		55	03AGPR1255MPF		50	03IXPR850MPF		55	03IXPR1255MPF
	55	03AGPR855MPF		60	03AGPR1260MPF		55	03IXPR855MPF		60	03IXPR1260MPF
	60	03AGPR860MPF		70	03AGPR1270MPF		60	03IXPR860MPF		70	03IXPR1270MPF
	70	03AGPR870MPF		80	03AGPR1280MPF		70	03IXPR870MPF		80	03IXPR1280MPF
	80	03AGPR880MPF		90	03AGPR1290MPF		80	03IXPR880MPF		90	03IXPR1290MPF
	90	03AGPR890MPF		100	03AGPR12100MPF		90	03IXPR890MPF		100	03IXPR12100MPF
100	03AGPR815MPF			100	03IXPR8100MPF						

**PERNI A SALDARE AD ARCO SOLLEVATO
CON FERULA CERAMICA**
DRAWN-ARC STUDS WITH CERAMIC FERRULES
HUBZÜNDUNG BOLZEN MIT KERAMIK RINGE
GOUJONS À SOUDER AVEC BAGUES REFRACTAIRES
PERNOS SOLDADURA ARCO CON FERULA CERAMICA

DIN EN ISO 13918
RD - MR

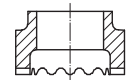


PRIMA DELLA SALDATURA
BEFORE WELDING
VOR DEM SCHWEISSEN
AVANT SOUDAGE
ANTES DE SOLDAR

DOPO LA SALDATURA
AFTER WELDING
NACH DEM SCHWEISSEN
APRÈS SOUDAGE
DESPUES DE SOLDAR

D	L	D1 ± 0,2	A
M6	vd. sotto see below	4,7	4,5
M8		6,2	4,5
M10		7,9	5,0
M12		9,5	6,5

DIN EN ISO 13918
RF - KSR



Diametro Diameter	Codice Code
M6	03KSR-F06
M8	03KSR-F08
M10	03KSR-F10
M12	03KSR-F12

NON VENDIBILI SEPARATAMENTE DAI PERNI
NOT TO BE SOLD SEPARATELY FROM THE STUDS

ACCIAIO 4.8 STEEL 4.8 STAHL 4.8 ACIER 4.8 ACERO 4.8		
Diametro Diameter	Lunghezza Length	Codice Code
M6	15	03AGPR615MR
	20	03AGPR620MR
	25	03AGPR625MR
	30	03AGPR630MR
	35	03AGPR635MR
	40	03AGPR640MR
	45	03AGPR645MR
	50	03AGPR650MR
	55	03AGPR655MR
	60	03AGPR660MR
	70	03AGPR670MR
M8	80	03AGPR680MR
	90	03AGPR690MR
	100	03AGPR6100MR
	15	03AGPR815MR
	20	03AGPR820MR
	25	03AGPR825MR
	30	03AGPR830MR
	35	03AGPR835MR
	40	03AGPR840MR
	45	03AGPR845MR
	50	03AGPR850MR
	55	03AGPR855MR
	60	03AGPR860MR
	70	03AGPR870MR
	80	03AGPR880MR
	90	03AGPR890MR
	100	03AGPR8100MR

ACCIAIO 4.8 STEEL 4.8 STAHL 4.8 ACIER 4.8 ACERO 4.8		
Diametro Diameter	Lunghezza Length	Codice Code
M10	20	03AGPR1020MR
	25	03AGPR1025MR
	30	03AGPR1030MR
	35	03AGPR1035MR
	40	03AGPR1040MR
	45	03AGPR1045MR
	50	03AGPR1050MR
	55	03AGPR1055MR
	60	03AGPR1060MR
	70	03AGPR1070MR
	80	03AGPR1080MR
M12	90	03AGPR1090MR
	100	03AGPR10100MR
	20	03AGPR1220MR
	25	03AGPR1225MR
	30	03AGPR1230MR
	35	03AGPR1235MR
	40	03AGPR1240MR
	45	03AGPR1245MR
	50	03AGPR1250MR
	55	03AGPR1255MR
	60	03AGPR1260MR
	70	03AGPR1270MR
	80	03AGPR1280MR
	90	03AGPR1290MR
	100	03AGPR12100MR

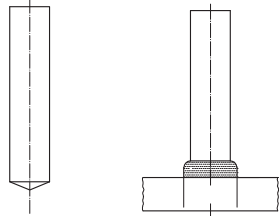
ACCIAIO INOX A2-50 STAINLESS STEEL A2-50 ROSTFREIER STAHL A2-50 INOX A2-50 ACERO A2-50		
Diametro Diameter	Lunghezza Length	Codice Code
M6	15	03IXPR615MR
	20	03IXPR615MR
	25	03IXPR615MR
	30	03IXPR615MR
	35	03IXPR615MR
	40	03IXPR615MR
	45	03IXPR615MR
	50	03IXPR615MR
	55	03IXPR615MR
	60	03IXPR615MR
	70	03IXPR615MR
M8	80	03IXPR615MR
	90	03IXPR615MR
	100	03IXPR615MR
	15	03IXPR815MR
	20	03IXPR820MR
	25	03IXPR825MR
	30	03IXPR830MR
	35	03IXPR835MR
	40	03IXPR840MR
	45	03IXPR845MR
	50	03IXPR850MR
	55	03IXPR855MR
	60	03IXPR860MR
	70	03IXPR870MR
	80	03IXPR880MR
	90	03IXPR890MR
	100	03IXPR8100MR

ACCIAIO INOX A2-50 STAINLESS STEEL A2-50 ROSTFREIER STAHL A2-50 INOX A2-50 ACERO A2-50		
Diametro Diameter	Lunghezza Length	Codice Code
M10	20	03IXPR1020MR
	25	03IXPR1025MR
	30	03IXPR1030MR
	35	03IXPR1035MR
	40	03IXPR1040MR
	45	03IXPR1045MR
	50	03IXPR1050MR
	55	03IXPR1055MR
	60	03IXPR1060MR
	70	03IXPR1070MR
	80	03IXPR1080MR
M12	90	03IXPR1090MR
	100	03IXPR10100MR
	20	03IXPR1220MR
	25	03IXPR1225MR
	30	03IXPR1230MR
	35	03IXPR1235MR
	40	03IXPR1240MR
	45	03IXPR1245MR
	50	03IXPR1250MR
	55	03IXPR1255MR
	60	03IXPR1260MR
	70	03IXPR1270MR
	80	03IXPR1280MR
	90	03IXPR1290MR
	100	03IXPR12100MR

A RICHIESTA
ON DEMAND
AUF ANFRAGE
SUR DEMANDE
BAJO SOLICITUD

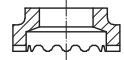
DIN EN ISO 13918

UD - S



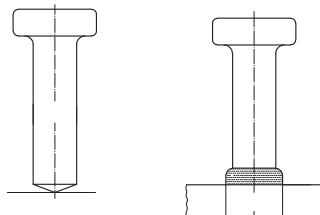
DIN EN ISO 13918

UF - KSN



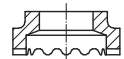
DIN EN ISO 13918

SD - KD



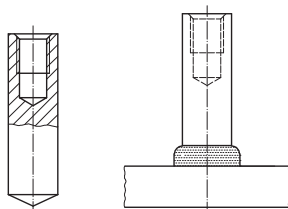
DIN EN ISO 13918

UF - KSN



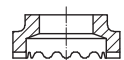
DIN EN ISO 13918

ID - MI



DIN EN ISO 13918

UF - KSN



SALDATRICE AD ARCO CORTO / ARCO SOLLEVATO
SHORT CYCLE / DRAWN ARC STUD WELDER
SCHWEISSGERÄT FÜR HUBZÜNDUNG
SOUDEUSE EN ARC
SOLDADOR DE ARCO



CODICE/CODE

03550

CARATTERISTICHE TECNICHE <i>TECHNICAL FEATURES</i>	
Pezzi saldabili al minuto <i>Weldable pieces per minute</i>	8 ÷ 25
Dimensioni corpo macchina <i>Machine body dimensions</i>	28x52x29 cm
Alimentazione <i>Power supply</i>	400V - 3 Ph - 50/60Hz
Potenza max assorbita <i>Max power consumption</i>	kW 17,0
Grado di protezione <i>Degree of protection</i>	IP 23
Peso corpo macchina <i>Machine body weight</i>	41 Kg

UTILIZZO <i>CAPACITY</i>		
FILETTO <i>THREAD</i>	ACCIAIO <i>STEEL</i>	INOX <i>STAINLESS STEEL</i>
M4	●	●
M5	●	●
M6	●	●
M8	●	●
M10	●	●

SALDATRICE AD ARCO CORTO / ARCO SOLLEVATO
SHORT CYCLE / DRAWN ARC STUD WELDER
SCHWEISSGERÄT FÜR HUBZÜNDUNG
SOUDEUSE EN ARC
SOLDADOR DE ARCO



CODICE/CODE

03DA800M

ISO 4063
 Display LCD
 LCD display

CARATTERISTICHE TECNICHE <i>TECHNICAL FEATURES</i>	
Pezzi saldabili al minuto <i>Weldable pieces per minute</i>	10
Dimensioni corpo macchina <i>Machine body dimensions</i>	460 x 300 x 260 mm
Alimentazione <i>Power supply</i>	3x400V – 50/60 Hz – 32 A
Corrente di saldatura <i>Mains supply</i>	800 A con moderno potenziometro / <i>Modern potentiometer</i>
Tempo di saldatura <i>Welding time</i>	0,001 – 1 sec.
Grado di protezione <i>Degree of protection</i>	IP 23
Peso corpo macchina <i>Machine body weight</i>	40 Kg

UTILIZZO <i>CAPACITY</i>		
FILETTO <i>THREAD</i>	ACCIAIO 4.8 <i>STEEL</i>	INOX <i>STAINLESS STEEL</i>
M3	●	●
M4	●	●
M5	●	●
M6	●	●
M8	●	●
M10	●	●
M12	●	●

ALLUMINIO IN CASI PARTICOLARI
 ALUMINIUM ONLY IN PARTICULAR SITUATIONS

PISTOLE / GUNS

KHPL-12 cavo 5 m kit gas / *5 m cable kit gas*

KHPL-12 cavo 5 m kit ferule ceramiche / *5 m cable kit ceramic ferrules*

SALDATRICE AD ARCO CORTO / ARCO SOLLEVATO
SHORT CYCLE / DRAWN ARC STUD WELDER
SCHWEISSGERÄT FÜR HUBZÜNDUNG
SOUDEUSE EN ARC
SOLDADOR DE ARCO



CODICE/CODE
03DAI1300

ISO 4063

INVERTER

CARATTERISTICHE TECNICHE <i>TECHNICAL FEATURES</i>	
Pezzi saldabili al minuto <i>Weldable pieces per minute</i>	10
Dimensioni corpo macchina <i>Machine body dimensions</i>	290x 330 x 650 mm
Alimentazione <i>Power supply</i>	3x400V – 50/60 Hz – 32 A
Corrente di saldatura <i>Mains supply</i>	100A - 1000 A infinite variabili
Tempo di saldatura <i>Welding time</i>	5 – 1000 ms infinite variabili
Grado di protezione <i>Degree of protection</i>	IP 23
Peso corpo macchina <i>Machine body weight</i>	20 Kg

UTILIZZO <i>CAPACITY</i>			
FILETTO <i>THREAD</i>	ACCIAIO <i>STEEL</i>	INOX <i>STAINLESS STEEL</i>	ALLUMINIO <i>ALUMINIUM</i>
M3	●	●	●
M4	●	●	●
M5	●	●	●
M6	●	●	●
M8	●	●	●
M10	●	●	●
M12	●	●	●
M16	●	●	

PISTOLE / GUNS

KHPL-10 cavo 5 m kit gas / 5 m cable kit gas

KHPL-12 cavo 5 m kit gas / 5 m cable kit gas

KHPL-12 cavo 5 m kit ferule ceramiche / 5 m cable kit ceramic ferrules

KHPL-19 cavo 5 m kit ferule ceramiche / 5 m cable kit ceramic ferrules

SALDATRICE AD ARCO CORTO / ARCO SOLLEVATO
SHORT CYCLE / DRAWN ARC STUD WELDER
SCHWEISSGERÄT FÜR HUBZÜNDUNG
SOUDEUSE EN ARC
SOLDADOR DE ARCO



CODICE/CODE
03DAI2300

ISO 4063

INVERTER

CARATTERISTICHE TECNICHE <i>TECHNICAL FEATURES</i>	
Pezzi saldabili al minuto <i>Weldable pieces per minute</i>	10
Dimensioni corpo macchina <i>Machine body dimensions</i>	1007x 477,5 x 1249 mm
Alimentazione <i>Power supply</i>	320x495V – 50/60 Hz – 63 A
Corrente di saldatura <i>Mains supply</i>	100A - 2000 A infinitamente variabili / <i>infinitely variable</i>
Tempo di saldatura <i>Welding time</i>	5 – 1000 ms (1500 ms) infinitamente variabili <i>infinitely variable</i>
Grado di protezione <i>Degree of protection</i>	IP 23
Peso corpo macchina <i>Machine body weight</i>	110 Kg

ALLUMINIO IN CASI PARTICOLARI
ALUMINIUM ONLY IN PARTICULAR SITUATIONS

PISTOLE / GUNS

KHPL-12 cavo 5 m kit ferule ceramiche /
5 m cable kit ceramic ferrules

KHPL-19 cavo 5 m kit ferule ceramiche /
5 m cable kit ceramic ferrules

KHPL-22 cavo 5 m kit ferule ceramiche /
5 m cable kit ceramic ferrules

UTILIZZO <i>CAPACITY</i>		
FILETTO <i>THREAD</i>	ACCIAIO <i>STEEL</i>	INOX <i>STAINLESS STEEL</i>
M3	●	●
M4	●	●
M5	●	●
M6	●	●
M8	●	●
M10	●	●
M12	●	●
M14	●	●
M16	●	●
M18	●	●
M20	●	●
M22	●	●
M24	●	●

4

34.40

CNC SALDATRICE AUTOMATICA
CNC AUTOMATIC WELDING MACHINE
CNC AUTOMATISCHES SCHWEISSGERÄT
CNC SOUDEUSE AUTOMATIQUE
CNC UNIDAD DE SOLDADURA AUTOMÁTICA

CODICE/CODE

03CNC2X1



2.000 x 1.000

Caratteristiche tecniche - Technical features	
Dimensioni area di lavoro <i>Work range</i>	fino a 2.000 x 1.000 mm. <i>up to 2.000 x 1.000 mm.</i>
Numero di saldatrici <i>Number of machines</i>	1 saldatrice <i>1 welding machine</i>
Numero di teste <i>Number of heads</i>	fino a 2 <i>up to 2</i>
Numero di alimentatori automatici <i>Number of automatic feeders</i>	fino a 2 <i>up to 2</i>
Range di saldatura <i>Welding range</i>	da M3 x 8 mm. a M10 x 40 mm. <i>from M3 x 8 mm. to M10 x 40 mm.</i>
Velocità <i>Speed</i>	280 mm./sec. (18 m./min.)
Precisione <i>Precision</i>	+/- 0.2 mm.
Ripetibilità per foglio di lamiera <i>Repeatability on sheet metal</i>	+/- 0.05 mm.
N. di pezzi saldati al minuto <i>No. of pieces welded per minute</i>	fino a 40 perni <i>up to 40 studs</i>

- **ASSI X-Y SERVO-ASSISTITI E PROGRAMMABILI (ASSE Z SU RICHIESTA)**
- **CONTROLLO E PROGRAMMAZIONE TRAMITE PC**
- **TOUCH-SCREEN DA 24"**
- **CONNESSIONE REMOTA TRAMITE WI-FI**
- **CARICAMENTO DEI PROGRAMMI TRAMITE USB O RETE WI-FI O ETHERNET**
- **NUMERO ILLIMITATO DI PROGRAMMI**
- **VARIABILI PER LA PROGRAMMAZIONE (COORDINATE, TESTE, POTENZA DI SALDATURA,) TRAMITE TOUCH-SCREEN O FILE EXCEL O CCV**
- **BARRIERE FOTOELETTRICHE DI SICUREZZA**
- **STAFFE PNEUMATICHE**
- **ADATTABILITA' DI UTENSILI UNIVERSALI: TORNITURA, APPLICAZIONI ADESIVE, ECC)**
- **COMPONENTI ELETTRICI E DI CONTROLLO DI ALTA QUALITA'**
- **CERTIFICATO CEE**
- **IN GRADO DI SALDARE TUTTI GLI ARTICOLI DELLA DIN 13918**

- **X-Y AXIS SERVO-CONTROLLED AND PROGRAMMABLE (Z AXIS ON DEMAND)**
- **PC-INDUSTRIAL, CONTROL AND PROGRAMMING**
- **24" TOUCH SCREEN**
- **REMOTE CONNECTION VIA WIFI**
- **LOADS PROGRAMS WITH USB, OR THROUGH WIFI NETWORK (WIFI, ETHERNET)**
- **UNLIMITED NUMBER OF PROGRAMS**
- **PROGRAMMING VARIABLES (COORDINATES, HEADS, WELDING POWER) VIA TOUCH PANEL, EXCEL TEMPLATE OR CCV FILES**
- **PHOTOELECTRIC SECURITY BARRIERS**
- **PNEUMATIC FLANGES**
- **POSSIBILITY OF ADAPTING UNIVERSAL TOOLS: MILLING MACHINES, ADHESIVE IMPLEMENTATIONS, ETC.**
- **UNIVERSAL HIGH-QUALITY ELECTRICAL COMPONENTS AND CONTROLS**
- **CEE CERTIFICATE**
- **ABLE TO WELD ALL ITEMS ACCORDING TO DIN 13918**

4

36.40

CNC SALDATRICE AUTOMATICA
CNC AUTOMATIC WELDING MACHINE
CNC AUTOMATISCHES SCHWEISSGERÄT
CNC SOUDEUSE AUTOMATIQUE
CNC UNIDAD DE SOLDADURA AUTOMÁTICA

CODICE/CODE

03CNC3X15



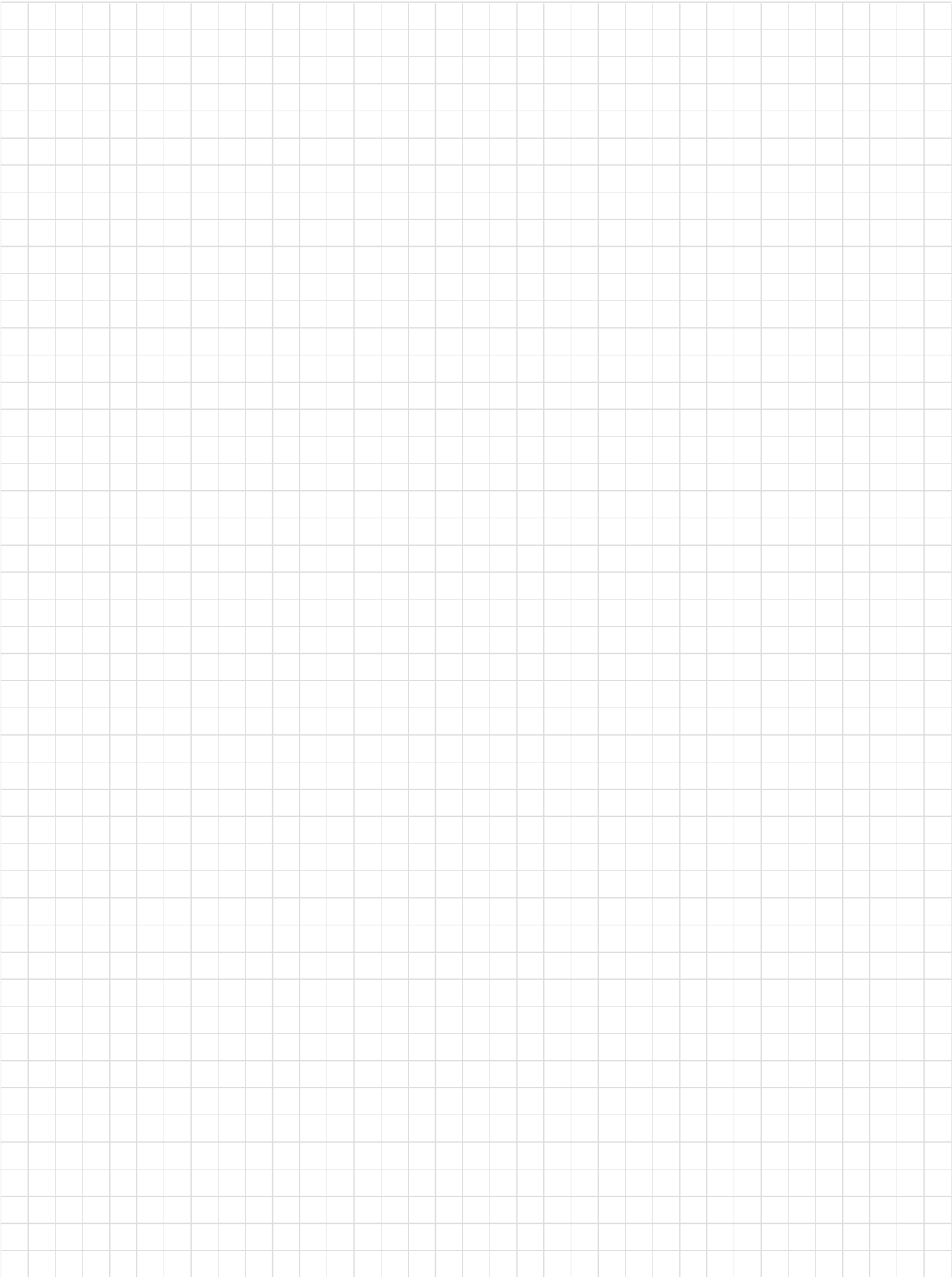
3.000 x 1.500

Caratteristiche tecniche - Technical features	
Dimensioni area di lavoro <i>Work range</i>	fino a 3.000 x 1.500 mm. <i>up to 3.000 x 1.500 mm.</i>
Numero di saldatrici <i>Number of machines</i>	fino a 4 saldatrici <i>up to 4 welding machines</i>
Numero di teste <i>Number of heads</i>	fino a 4 <i>up to 4</i>
Numero di alimentatori automatici <i>Number of automatic feeders</i>	fino a 4 <i>up to 4</i>
Range di saldatura <i>Welding range</i>	da M3 x 8 mm. a M10 x 40 mm. <i>from M3 x 8 mm. to M10 x 40 mm.</i>
Velocità <i>Speed</i>	1.200 mm./sec. (72 m./min.)
Precisione <i>Precision</i>	+/- 0.2 mm.
Ripetibilità per foglio di lamiera <i>Repeatability on sheet metal</i>	+/- 0.05 mm.
N. di pezzi saldati al minuto <i>No. of pieces welded per minute</i>	fino a 40 perni <i>up to 40 studs</i>

- **ASSI X-Y SERVO-ASSISTITI E PROGRAMMABILI (ASSE Z SU RICHIESTA)**
- **CONTROLLO E PROGRAMMAZIONE TRAMITE PC**
- **TOUCH-SCREEN DA 24"**
- **CONNESSIONE REMOTA TRAMITE WI-FI**
- **CARICAMENTO DEI PROGRAMMI TRAMITE USB O RETE WI-FI O ETHERNET**
- **NUMERO ILLIMITATO DI PROGRAMMI**
- **VARIABILI PER LA PROGRAMMAZIONE (COORDINATE, TESTE, POTENZA DI SALDATURA,) TRAMITE TOUCH-SCREEN O FILE EXCEL O CCV**
- **BARRIERE FOTOELETTRICHE DI SICUREZZA**
- **STAFFE PNEUMATICHE**
- **ADATTABILITA' DI UTENSILI UNIVERSALI: TORNITURA, APPLICAZIONI ADESIVE, ECC)**
- **COMPONENTI ELETTRICI E DI CONTROLLO DI ALTA QUALITA'**
- **CERTIFICATO CEE**
- **IN GRADO DI SALDARE TUTTI GLI ARTICOLI DELLA DIN 13918**

- **X-Y AXIS SERVO-CONTROLLED AND PROGRAMMABLE (Z AXIS ON DEMAND)**
- **PC-INDUSTRIAL, CONTROL AND PROGRAMMING**
- **24" TOUCH SCREEN**
- **REMOTE CONNECTION VIA WIFI**
- **LOADS PROGRAMS WITH USB, OR THROUGH WIFI NETWORK (WIFI, ETHERNET)**
- **UNLIMITED NUMBER OF PROGRAMS**
- **PROGRAMMING VARIABLES (COORDINATES, HEADS, WELDING POWER) VIA TOUCH PANEL, EXCEL TEMPLATE OR CCV FILES**
- **PHOTOELECTRIC SECURITY BARRIERS**
- **PNEUMATIC FLANGES**
- **POSSIBILITY OF ADAPTING UNIVERSAL TOOLS: MILLING MACHINES, ADHESIVE IMPLEMENTATIONS, ETC.**
- **UNIVERSAL HIGH-QUALITY ELECTRICAL COMPONENTS AND CONTROLS**
- **CEE CERTIFICATE**
- **ABLE TO WELD ALL ITEMS ACCORDING TO DIN 13918**

NOTE
REMARKS
BEMERKUNGEN
REMARQUES
OBSERVACIONES



Fissaggi per lamiera - Fasteners for sheet metal -

RIVETTI A STRAPPO - BLIND RIVETS



THREADED INSERTS - INSERTI FILETTATI



SELF CLINCHING FASTENERS - AUTOFISSANTI



Fasteners for solid parts - Fissaggi per corpi pieni

SELF-TAPPING, SPECIAL AND WIRE INSERTS BUSSOLE AUTOFILETTANTI, SPECIALI E FILETTI RIPORTATI



Fissaggi per la plastica Fasteners for plastics

BRASS INSERTS - INSERTI IN OTTONE



INSERTI PER PIETRA E SUPERFICI SOLIDE - INSERTS FOR STONES AND SOLID SURFACES



Fasteners for tubes - Fissaggi per tubi

INSERTS FOR TUBES - INSERTI PER TUBI





RIVETTI A STRAPPO
BLIND RIVETS



INSERTI FILETTATI
THREADED INSERTS



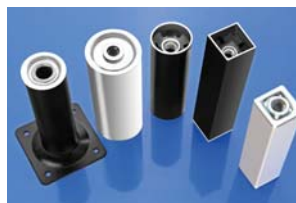
AUTOFISSANTI
*SELF-CLINCHING
FASTENERS*



**FISSAGGI PER MATERIE
PLASTICHE**
FASTENERS FOR PLASTICS



FILETTI RIPORTATI
WIRE INSERTS



INSERTI PER TUBI
INSERTS FOR TUBES



**BUSSOLE AUTOFILETTANTI
E SPECIALI**
*SELF-TAPPING AND SPECIAL
THREADED INSERTS*

FIXI[®]

FASTENING SYSTEMS

Via Bellardi, 40/A - 10146 Torino (Italy)
Tel. 0039 011.7072398 / 7070877 - Fax 0039 011.7072521
E-mail: info@fixi.it - www.fixi.it

FIXI[®] **VP**

VALLE D'AOSTA - PIEMONTE

LOMBARDIA - LIGURIA

Via Valgioie, 94 - 10146 Torino Italy
Tel. 0039 011.0882009 - Fax 0039 011.0882012
E-mail: info@fixivpl.it - www.fixi.it

FIXI[®] **3V**

TRENTINO - VENETO - FRIULI

Via Keplero, 4G/H - Z.I. di Tognana - 35028 Piove di Sacco (PD) Italy
Tel. 0039 049.8079285 - Fax 0039 049.8087725
E-mail: trevenezie@fixitrevenezie.it - www.fixi.it

FIXI[®] **ets**

EMILIA ROMAGNA - TOSCANA - SARDEGNA

Via delle Querce, 22 - 40011 Anzola dell'Emilia (BO) Italy
Tel. 0039 051.0353243 - Fax 0039 051.0353244
E-mail: info@fixiets.it - www.fixi.it

FIXI[®] **u.a**

MARCHE - UMBRIA - ABRUZZO - MOLISE

Via Roma, 10 - 63078 Pagliare del Tronto fraz. di Spinetoli (AP) Italy
Tel. 0039 0736.814110 - Fax 0039 0736.984002
E-mail: info@fixiua.it - www.fixi.it

FIXI[®] **csi**

CENTRO SUD ITALIA

Via Alcide De Gasperi, 116 - 63078 Pagliare del Tronto fraz. di Spinetoli (AP) Italy
Tel. 0039 0736.499445 - E-mail: info@fixicentrosud.it - www.fixi.it



Member of CISQ Federation

